

ITM. / ART. 1498404

Hisense

USE AND INSTALLATION INSTRUCTIONS

Model: HAW0821CW1W

For questions about features, operation/performance, parts or service,
call: 1-877-465-3566

TABLE OF CONTENTS

AIR CONDITIONER SAFETY	2
INSTALLATION REQUIREMENTS	3
Electrical Requirements	3
Tools and Parts	4
Unpack the Air Conditioner	4
Location Requirements	5
INSTALLATION INSTRUCTIONS	6
Prepare Air Conditioner for Installation	6
Window Air Conditioner Installation	6
Complete Installation	8
AIR CONDITIONER USE	8
Starting Your Air Conditioner	9
Using the Remote Control	11
Changing Air Direction	12
Exhaust Air Vent	12
Normal Sounds	12
AIR CONDITIONER CARE	13
Cleaning the Air Filter	13
Cleaning the Front Panel	13
Repairing Paint Damage	13
Annual Maintenance	13
TROUBLESHOOTING	14

AIR CONDITIONER SAFETY

You safety and the safety of others are very important.

We have provided many important safety messages in this manual and on your appliance. Always read and obey all safety messages.



This is the safety alert symbol.

This symbol alerts you to potential hazards that can kill or hurt you and others.

All safety messages will follow the safety alert symbol and either the word "DANGER" or "WARNING".

These words mean:

 **DANGER**

You can be killed or seriously injured if you don't immediately follow instructions.

 **WARNING**

You can be killed or seriously injured if you don't follow instructions.

All safety messages will tell you what the potential hazard is, tell you how to reduce the chance of injury.

IMPORTANT SAFETY INSTRUCTIONS

WARNING: To reduce the risk of fire, electrical shock or injury when using your air conditioner, follow these basic precautions:

- Plug into a grounded 3 prong outlet.
- Do not use an extension cord.
- Do not remove ground prong.
- Unplug air conditioner before servicing.
- Do not use an adapter.
- Use two or more people to move and install air conditioner.

SAVE THESE INSTRUCTIONS

DISPOSING OF THE UNIT

- Before dumping the device, take out of the battery and dispose the battery separately based on your local battery recycle policy.
- When you need to disposal of the unit consult our dealer. If pipes are removed incorrectly, refrigerant may blow out and come into contact with your skin, causing injury. Releasing refrigerant into the atmosphere also damages the environment.
- Please recycle or dispose of the packaging material for product in an environmentally responsible manner.
- Never store or ship the air conditioner upside down or sideways to avoid damage to the compressor .
- This appliance is not available for people(including children) with reduced physical, sensory or mental capabilities,or lack of experience and knowledge, unless they have been given supervision or instruction concerning use of the applianceby a person responsible for their safety.
Children should be supervised to ensure that they do not play with the appliance.
- The wiring diagram is shown on nameplate on the air conditioner.



WARNING

Risk of Fire or Explosion. This unit contains flammable refrigerant. Additional safety precautions must be followed.

- Do not use means to accelerate the defrosting process or to clean, other than those recommended by the manufacturer.
- When handling, installing, and operating the appliance, care should be taken to avoid damage to the refrigerant tubing.
- The appliance shall be stored in a room without continuously operating ignition sources (for example: open flames, an operating gas appliance or an operating electric heater.
- Do not drill holes in the unit.
- Do not pierce or bum refrigerant tubing. Be aware that refrigerants may not contain an odor.
- Maintenance, cleaning, and service should only be performed by technicians properly trained and qualified in the use of flammable refrigerants.
- Keep ventilation openings clear of obstruction.
- Dispose of air conditioner in accordance with Federal and Local Regulations. Flammable refrigerants require special disposal procedures. Contact your local authorities for the environmentally safe disposal of your air conditioner.
- Themaximum refrigerant charge amount is shown on nameplate on the air conditioner.
- The appliance shall be stored so as to prevent mechanical damage from occurring.

INSTALLATION REQUIREMENTS

Electrical Requirements

⚠ WARNING



Electrical Shock Hazard

Plug into a grounded 3 prong outlet.

Do not remove ground prong.

Do not use an adapter.

Do not use an extension cord.

Failure to follow these instructions can result in death, fire, or electrical shock.

Recommended Grounding Method

This air conditioner must be grounded. This air conditioner is equipped with a power supply cord with a three-prong grounding plug. The cord must be plugged into a mating, grounded three-prong outlet, grounded in accordance with all local codes and ordinances. If a mating outlet is not available, it is the customer's responsibility to have a properly grounded three-prong outlet installed by a qualified electrical installer.

It is the customer's responsibility:

To contact a qualified electrical installer.

To assure that the electrical installation is adequate and conforms to the Nation Electrical Code, ANSI/NFPA 70-last edition, and all local codes and ordinances.

Copies of the standards listed may be obtained from:
Nation Fire Protection Association
1 Batterymarch Park
Quincy, Ma 02169-7471
www.nfpa.org

Wiring requirement

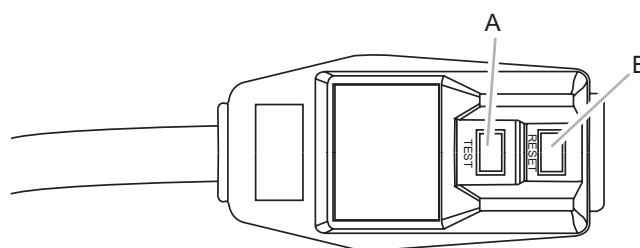
115 V (103.5 V min. to 126.5 V max.)

10 A time-delay fuse or circuit breaker for 6K cooling only

13 A time-delay fuse or circuit breaker for 8K cooling only

15 A time-delay fuse or circuit breaker for 10K / 12K cooling only

Power Supply Cord



A. Test button
B. Reset button

NOTE:

Your air conditioner's device may differ from the one shown. This room air conditioner is equipped with a power supply cord required by UL. This power supply cord contains state-of-the-art electronics that sense leakage current. If the cord is crushed, the electronics detect leakage current and power will be disconnected in a fraction of a second.

To test your power supply cord:

1. Plug power supply cord into a grounded 3 prong outlet.
2. Press RESET (on some devices, a green light will turn on).
3. Press TEST (listen for click; Reset button will trip, and on some devices, a green light will turn off).
4. Press and release RESET (listen for click; Reset button will latch, and on some devices, a green light will turn on). The power supply cord is ready for operation.

NOTE:

- The Reset button must be pushed in for proper operation.
- The power supply cord must be replaced if it fails to trip when the test button is pressed or fails to reset.
- Do not use the power supply cord as an off / on switch. The power supply cord is designed as a protective device.
- A damaged power supply cord must be replaced with a new power supply cord obtained from the product manufacturer and must not be repaired.
- The power supply cord contains no user serviceable parts. Opening the tamper-resistant case voids all warranty and performance claims.

Tools and Parts

Gather the required tools and parts before starting installation. Read and follow the instructions provided with any tools listed here.

Tools needed

- Phillips screwdriver



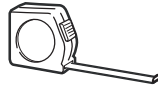
- Scissors



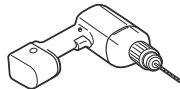
- Level



- Tape measure



- Cordless drill and 1/8 in bit

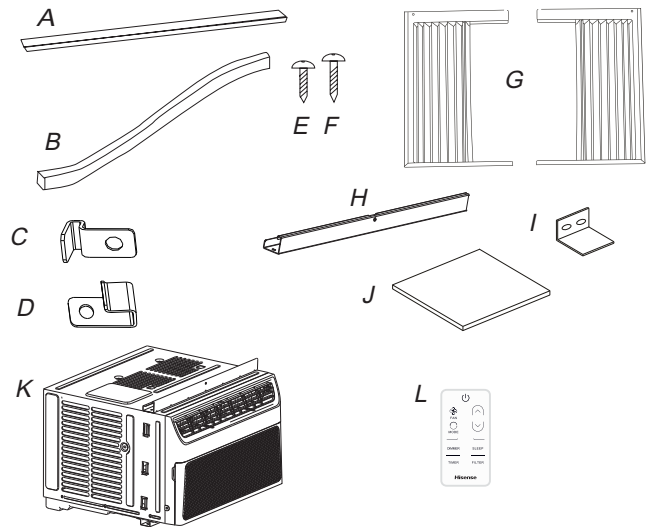


- Pencil



Parts supplied

Check that all parts are included in parts package.



A. Adhesive seal (2)

B. Foam seal

C. Lock frame (for Wooden windows)(2)

D. Lock frame

K. Air conditioner

D. Lock frame (for Vinyl-Clad windows)(2)

E. 3/8 in screws(4)

F. 3/4 in screws(7)

L. Remote control

G. Side curtains (2)

H. Top rail

I. Sash lock

J. EVA foam(2)

NOTE: The H. Top rail, E. 3/8 in screws(4) is not provide for 10K / 12K cooling only.

The J. EVA foam(2) is not provide for 6K regular cooling only.

Unpack the Air Conditioner

WARNING

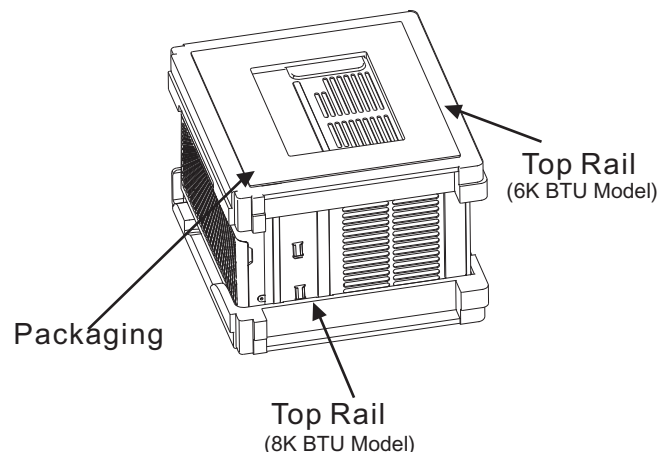
Excessive Weight Hazard

Use two or more people to move and install air conditioner.

Failure to do so can result in back or other injury.

Remove packaging materials

- Remove and dispose of / recycle packaging materials. Remove tape and glue residue from surfaces before turning on the air conditioner. Rub a small amount of liquid dish soap over the adhesive with your fingers. Wipe with warm water and dry.
- Do not use sharp instruments, rubbing alcohol, flammable fluids, or abrasive cleaners to remove tape or glue. These products can damage the surface of your air conditioner.
- Handle the air conditioner gently.
- Remove top rail from the packaging material.



Location Requirements

Before You Begin

Read these instructions completely and carefully.

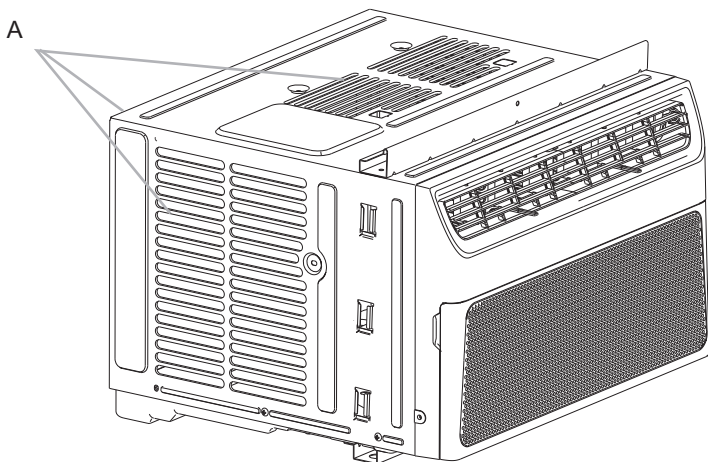
- **IMPORTANT:** Save these instructions for local inspector's use.
- **IMPORTANT:** Observe all governing codes and ordinances.
- **Note to Installer:** Be sure to leave these instructions with the Consumer.
- **Note to Consumer:** Keep these instructions for future reference.
- **Skill level:** Installation of this appliance requires basic mechanical skills.
- **Completion time:** Approximately 1 hour.
- We recommend that two people install this product.
- Proper installation is the responsibility of the installer.
- Product failure due to improper installation is not covered under the Warranty.
- You **MUST** use all supplied parts and use proper installation procedures as described in these instructions when installing this air conditioner.

IMPORTANT: Observe all governing codes and ordinances. Check the location where air conditioner will be installed. Proper installation is your responsibility. Make sure you have everything necessary for correct installation.

The location should provide:

- Do not use an extension cord. The appliance shall be installed in accordance with national wiring regulations.
- Free movement of air in room to be cooled.
- A large enough opening for the air conditioner.

NOTE: Cabinet louvers must not be obstructed. Air must be able to pass freely through the cabinet louvers.



A. Cabinet louvers

Window Installation

Window opening measurements:

These instructions are for a standard double-hung window. You will need to modify them for other types of windows.

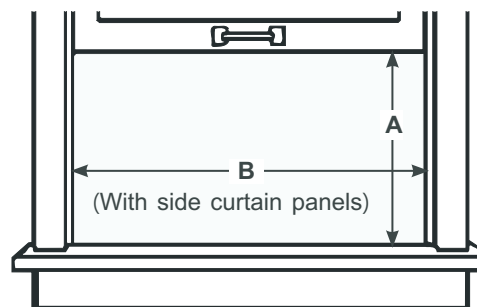
The air conditioner can be installed without the side curtain panels if needed to fit in a narrow window. See the window opening dimensions.

All supporting parts must be secured to firm wood, masonry or metal.

The electrical outlet must be within reach of the power cord.

Follow the dimensions in the table and illustration for your model.

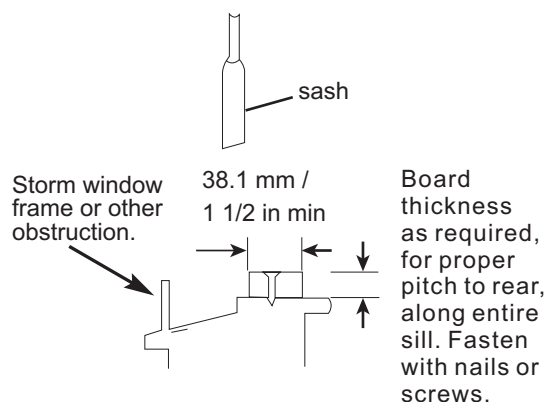
Models	A	B
6K BTU	316 mm / 12.4 in min	558 mm / 21.9 in - 960 mm / 37.7 in
6K E-star 8K BTU	345 mm / 13.5 in min	622 mm / 24.4 in - 990 mm / 38.9 in
10K BTU 12K BTU	386 mm / 15.1 in min	632 mm / 24.8 in - 990 mm / 38.9 in



If AC is Blocked by Storm Window

Add wood as shown, or remove storm window before air conditioner is installed.

If storm window frame must remain, be sure the drain holes or slots are not caulked or painted shut. Accumulated rain water or condensation must be allowed to drain out.

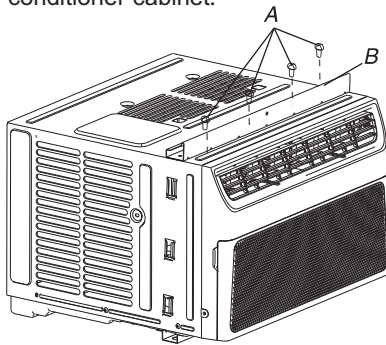


INSTALLATION INSTRUCTIONS

Prepare Air Conditioner for Installation

Attach Top Rail

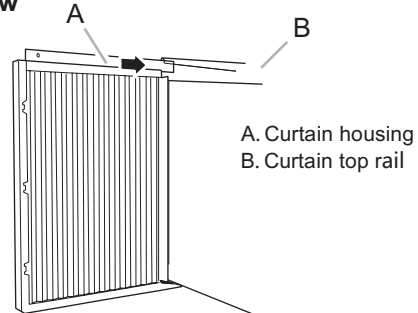
1. Locate the bag of screws provided.
2. Place the top rail on top of the air conditioner cabinet, lining up the 4 holes in the top rail with the 4 holes on top of the air conditioner cabinet.
3. Using four 3/8 in screws, attach the top rail to the air conditioner cabinet.



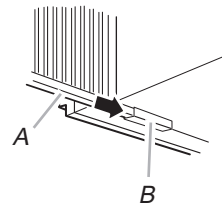
NOTE: The top rail had attached by manufacturer.
(Models: 10K / 12K cooling only)

2. Insert top and then bottom of right-hand curtain housing in top and bottom curtain rails on air conditioner.

Back View



Bottom View

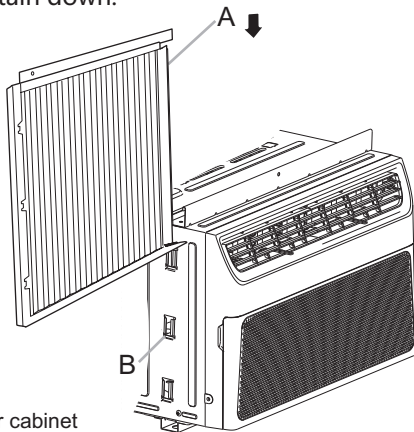


3. Slide the curtain housing into the channels as far as it could go.
4. Repeat above steps for the left-hand curtain.

Install Side Curtains

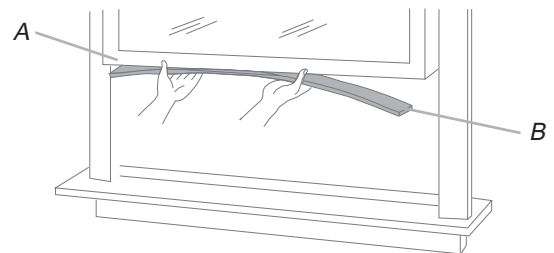
NOTE: Attach curtains to the air conditioner before placing the air conditioner in window.

1. Slide the Side curtain directly into the cabinet. Slide the Side curtain down.



Attach Adhesive Seal

1. Cut the adhesive seal to the width of the lower window sash.
2. Remove the backing from the seal and attach the seal to the bottom of the lower window sash.



Window Air Conditioner Installation

⚠ WARNING

Excessive Weight Hazard

Use two or more people to move and install air conditioner.

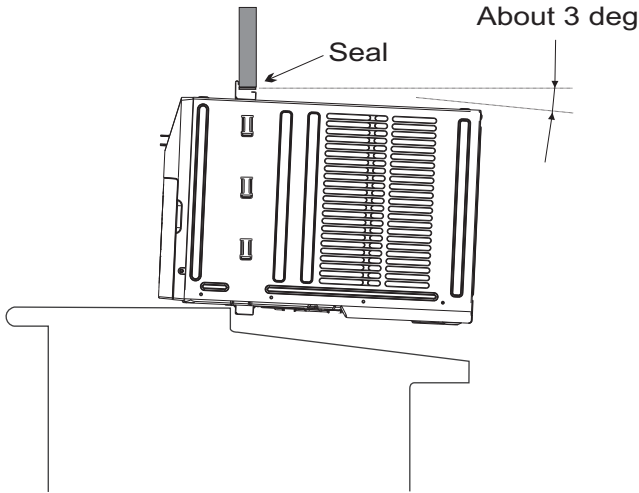
Failure to do so can result in back or other injury.

NOTES:

- Handle air conditioner gently.
- Be sure your air conditioner does not fall out of the opening during installation or removal.
- Do not block the louvers in the front panel.
- Do not block the louvers on the outside of the air conditioner.

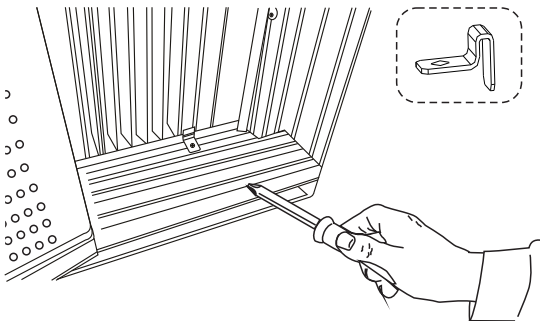
Window Air Conditioner Installation Continued

- Center air conditioner in window. Lower the window sash behind the top rail to hold cabinet in place. Keep a firm grip on the air conditioner, carefully place the unit into the window opening so the bottom of the air conditioner frame is against the window sill and make sure the unit is staying center of the window. Carefully close the window behind the top rail of the unit.

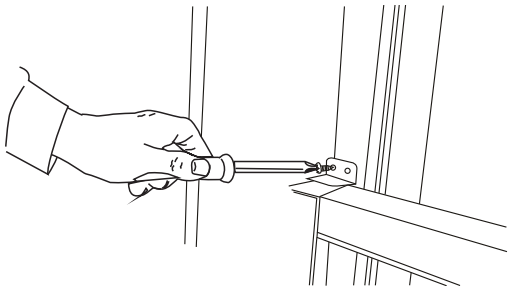


NOTE: Your model may differ from the one shown.

- Place the frame lock between the frame extensions and the window sill with 3/4 in screw as shown.

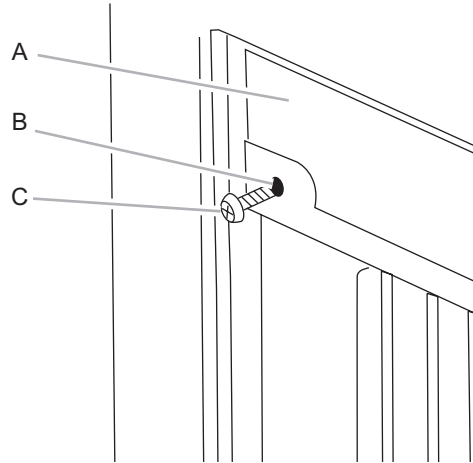


- To secure lower sash in place, attach right angle sash lock with 3/4 in screw as shown.



Attach Side Curtains to Window

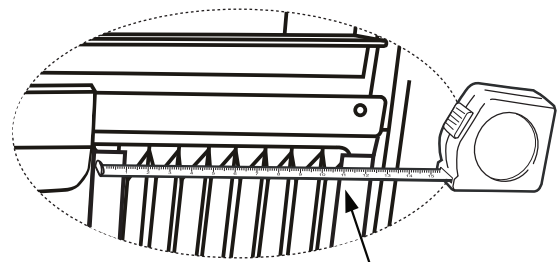
- Pull the left-hand curtain out until it fits into the window channel.
- Use a 1/8 in drill bit to drill a starter hole through the hole in the top rail.
- Insert one of the 3/4 in screws through the left-hand curtain and into the window sash.



A. Window sash
B. Hole in side curtain
C. 3/4 in screw

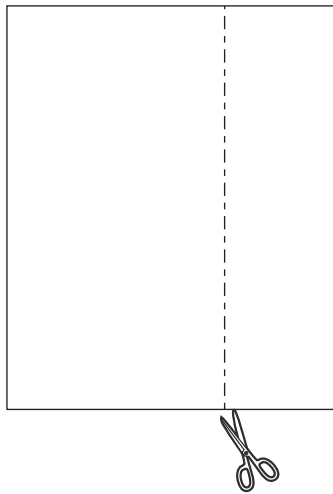
- Put one EVA Foam on the Curtain housing. In order to minimize air leaks and ensure optimal insulation, it is necessary to install the EVA Foam on the Curtain housing.

After the unit is installed to the window, measure the inner width of the side curtain as shown.

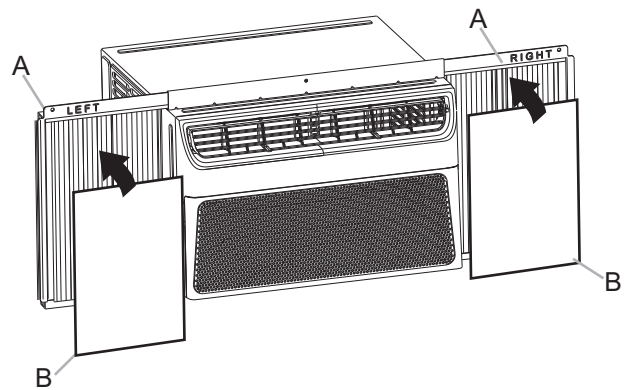


Measure the inner width of the side curtain

Remark a line on the EVA Foam according to less 1/8 in than the measured width in, then cut the EVA Foam along the line.



Remove the backing from the EVA Foam. Attach one EVA Foam on the Curtain housing, the side with adhesive should facing the Curtain housing.



A. Curtain housing
B. EVA Foam

NOTE: The EVA Foam is not need to attach for Models: 6K regular cooling only.

5. Repeat for the right-hand curtain.

Complete Installation

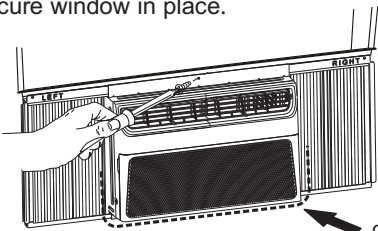
1. Insert foam seal behind the top of the lower window sash and against the glass of the upper window.



A. Top of lower window sash
B. Foam seal

2. Using a 1/8 in drill bit to drill a starter hole through the hole in the top rail.

3. Attach top channel to window sash with a 3/4 in screw to secure window in place.



4. Check the gap around the unit and seal it with the adhesive seal attached.

Electrical Shock Hazard

Plug into a grounded 3 prong outlet.
Do not remove ground prong.
Do not use an adapter.
Do not use an extension cord.

Failure to follow these instructions can result in death, fire, or electrical shock.

5. Plug into a grounded 3 prong outlet.

6. Press RESET on the power supply cord. See "Electrical Requirements".

AIR CONDITIONER USE

Operating your air conditioner properly helps you to obtain the best possible results.

This section explains proper air conditioner operation.

IMPORTANT:

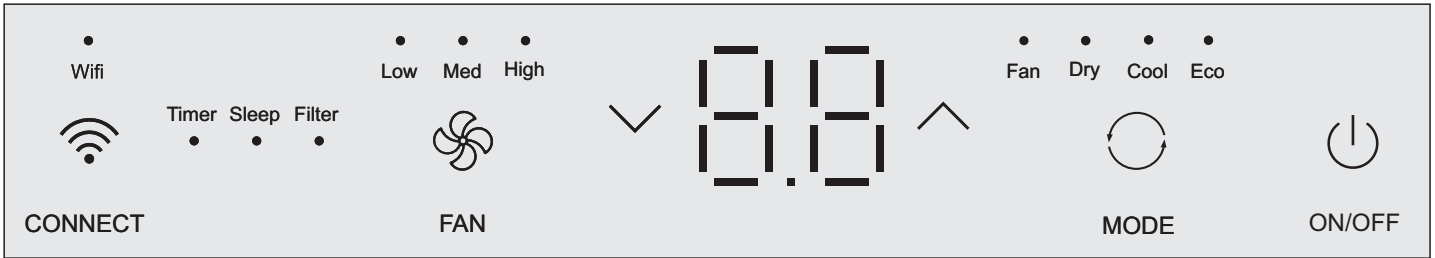
- If you turn off the air conditioner, wait at least 3 minutes before turning it back on. This prevents the air conditioner from blowing a fuse or tripping a circuit breaker.

- Air conditioner in the Cool mode operation the better limits:
Outdoor side 18°C / 64.4°F ~ 43 °C / 109.4°F, ≤80% RH;
indoor side 17°C / 62.6°F ~ 32°C / 89.6°F, ≤80% RH.

NOTE:

In the event of a power failure, your air conditioner will operate at the previous settings when the power is restored.

Starting Your Air Conditioner



ON / OFF

1. Press the power button to turn on the air conditioner.



ON/OFF

NOTE: When the air conditioner is turned on for the first time after it is plugged in, the display will show the current set temperature and will run in the ECO control .

After cleaning and replace the filter , press the POWER button for resetting and the FILTER light will go off.

2. Select mode. See "Mode".
3. Select fan speed. See "Fan Speed".
4. Set temperature. See "Temperature".

Mode

1. Press MODE repeatedly until you see the indicator light glow for the desired setting.
2. Choose Fan, Dry, Cool, Eco.
 - FAN SPEED to select High, Med, Low.
 - Dry - Dries the room. The air conditioner automatically selects the temperature. Fan runs on Low speed only.
 - Cool - Cools the room.
 - Eco - Cools the room and save energy.

NOTE: Dry mode should not be used to cool the room. Fan - Only the fan runs. Press FAN SPEED to select High, Med or Low.

NOTE: Select ECO mode to initiate this function. The fan will continue to run after the compressor shuts off for 2 minutes (4 minutes for the first time), so the fan will shut off for 10 minutes. The fan then cycles runs for 2 minutes and 10 minutes off intervals until the room temperature is above the set temperature, at which time the compressor turns back on and Cooling resumes.

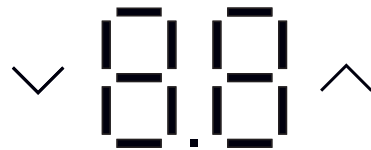
Fan Dry Cool Eco



MODE

Temperature

- Press the plus UP (^) button to raise the temperature. Each time you press or hold the plus UP (^) button, the temperature will go up 1°C / 1°F until it reaches 30°C / 86°F.



- Press the minus DOWN (v) button to lower the temperature. Each time you press or hold the DOWN (v) button, the temperature will go down 1°C / 1°F until it reaches 16°C / 61°F .

To change the temperature display from °F to °C:

Press both the MODE and DOWN (v) buttons at the sametime for 5 seconds to switch the display from °F to °C.

Fan Speed

NOTE: The Fan Speed button will operate only when the Cool, Fan or Power Saver mode has been selected.

1. Press FAN SPEED until you see the indicator light glow for the desired setting.
2. Choose High, Med, Low.
 - High - for maximum cooling
 - Med - for normal cooling
 - Low - for quieter cooling

NOTE:

- In ECO mode, the Fan will ran at low speed when compressor turn off.

Low Med High



FAN

Timer Sleep Filter

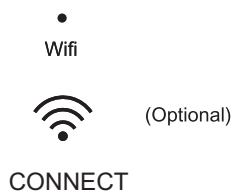
1. The LED light on control panel for Timer、Sleep、Filter.



2. The function introduction See “using the remote control”.

WIFI

WIFI control is available for connected models with this logo on control panel.

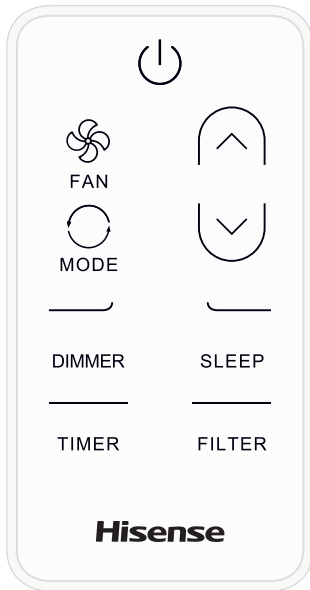


1. Press the CONNECT button for 5s,the LED start to flash.
2. After the WIFI module connecting the router, the LED keeps on. Or the LED keeps off.

NOTE: WIFI control is only available for WIFI control models.

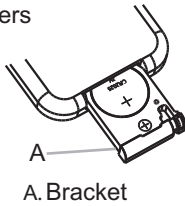
Using the Remote Control

NOTE: Remote control may differ in appearance.



NOTE:

- When the first use, please remove the insulated plastic patch.
- One CR2025 battery (included) powers the remote control. Replace battery after 6 months of use, or when the remote control starts to lose power.
- Please ensure the correct direction for polarity of the cell same as the indicator on the bracket.
- **Disposal of battery** old batteries must be removed and disposed of in accordance with current legislation as they are harmful to the environment.



⚠ WARNING

BATTERY WARNINGS

- Always purchase the correct size and grade of battery most suitable for the intended use.
- Always replace the whole set of batteries at one time, taking care not to mix old and new ones, or batteries of different types.
- Clean the battery contacts and also those of the device prior to battery installation.
- Ensure the batteries are installed correctly with regard to polarity (+ and -).
- Remove batteries from product during periods of non-use. Battery leakage can cause corrosion and damage to this product.

For recycling and disposal of batteries to protect the environment, please check the internet or your local phone directory for local recycling centers and / or follow local government regulations.

Power

Press POWER to turn on / off air conditioner.



Fan Speed

Press FAN to select High, Med, Low.

NOTE:

- In Dry mode, Fan speed cannot be set.



Mode

Press MODE to select Fan, Dry, Cool, ECO.



Temperature

- Press the plus UP (^) button to raise the temperature. Each time you press or hold the plus UP (^) button, the temperature will go up 1°C / 1°F until it reaches 30°C / 86°F.



- Press the minus DOWN (v) button to lower the temperature. Each time you press or hold the DOWN (v) button, the temperature will go down 1°F / 1°C until it reaches 61°F / 16°C.



DIMMER

Press the DIMMER button to turn off the control panel display.

DIMMER

NOTE:

- When in DIMMER mode, new control inputs will return display to normal.

Sleep Control

NOTES:

- In the Cooling mode, Dry mode, ECO mode, the set temperature will increase by 2°C / 4°F at most, during 2 hours, and continues running at that temperature until auto shut off.

In Heating mode, the set temperature will decrease by 2°C / 4°F at most, during 2 hours, and continues running at that temperature until auto shut off.

1. Press MODE to select Cool, Dry or ECO
2. Press FAN to select High, Med or Low.
3. Press the up or down arrow button to set the temperature.
4. Press SLEEP. After 10 seconds, the lights on the control panel display will dim.

NOTE: The mode and temperature may be adjusted during Sleep control. Fan speed is automatically set to LOW.

SLEEP

5. To turn off Sleep control, press SLEEP again. or wait 8 hours for the air conditioner to turn off automatically.

NOTE: The air conditioner will return to previous settings after Sleep control is turned off.

Timer

To set timer for a 1 – 24 hour delay on – off operation:

1. Press TIMER on remote control, LED display on the air conditioner control panel will flash.
2. Press up or down arrow button to change the delay time from 1 hour to 24 hours.
3. Press TIMER on remote control again for TIMER confirmation and TIMER indicator light on the air conditioner control will be on.
4. To cancel the TIMER, press the TIMER on remote and the TIMER indicator light will be off.

TIMER

Filter

1. When the Filter indicator light is lit, remove, clean and replace the air filter. See “Cleaning the Air Filter”
2. Press Power button on the machine, or FILTER button on remote to reset the filter, after cleaning and replacing the air filter.

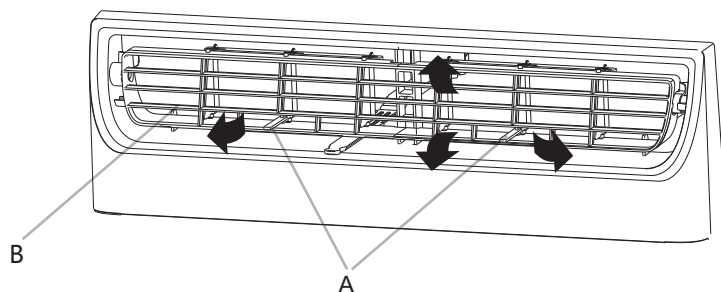
FILTER

NOTE :

When the light is on, it will remain on for 180 hours or until you press Clean Filter button.

Changing Air Direction

Use the Vertical Level Vane to direct the air right or left. Use the whole cartridge to direct air up, down or straight ahead.

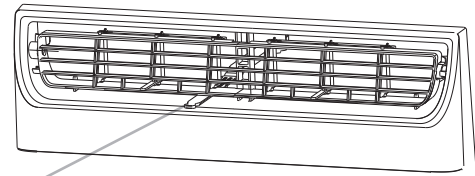


- A. Vertical Level Vane
- B. Cartridge

Exhaust Air Vent

- Pull out the exhaust air vent control to Open the exhaust air vent and draw stale or smoky air from the room.
- Push in the exhaust air vent control to close the exhaust air vent for maximum continuous cooling.

NOTE: The exhaust air vent control is not available for 6K / 8K cooling only .



A. Exhaust air vent control

NOTE: The exhaust air vent will function only when the Fan Speed control is operating.

Normal Sounds

When your air conditioner is operating normally, you may hear sounds such as:

- Droplets of water hitting the condenser, causing a pinging or clicking sound. The water droplets help cool the condenser.
- Air movement from the fan.
- Clicks from the thermostat cycle.
- Vibrations or noise due to poor wall or window construction.
- A high-pitched hum or pulsating noise caused by the modern high-efficiency compressor cycling on and off.

AIR CONDITIONER CARE

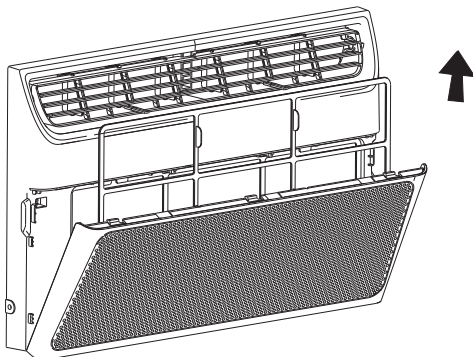
Your new air conditioner is designed to give you a many years of dependable service. This section tells you how to clean and care for your air conditioner properly. Call your local authorized dealer for an annual checkup. Remember the cost of this service call is your responsibility.

Cleaning the Air Filter

The air filter is removable for easy cleaning. A clean filter helps remove dust, lint, and other particles from the air and is important for best cooling and operating efficiency. Check the filter every 2 weeks to see whether it needs cleaning.

NOTE: Do not operate the air conditioner without the filter in place.

1. Turn off the air conditioner.
2. Open the front panel. Grasp the filter by the center and pull up and out.



3. Use a vacuum cleaner to clean the air filter. If the air filter is very dirty, wash it in warm water with a mild detergent. Do not wash the air filter in the dishwasher or use any chemical cleaners. Air dry the filter completely before replacing to ensure maximum efficiency.
4. Replace the air filter back into the air conditioner, and close the front panel.

Cleaning the Front Panel

1. Turn off the air conditioner.
2. Clean the front panel with a soft, damp cloth.
3. Air dry the front panel completely.

Repairing Paint Damage

Check once or twice a year for paint damage. This is very important, especially in areas near oceans or where rust is a problem. If needed, touch up with a good grade enamel paint.



Annual Maintenance

Your air conditioner needs annual maintenance to help ensure steady, top performance throughout the year. Call your local authorized dealer to schedule an annual checkup. The expense of an annual inspection is your responsibility.

TROUBLE SHOOTING

Before calling for service, try the suggestions below to see whether you can solve your problem without outside help.

Air conditioner will not operate

Electrical Shock Hazard

Plug into a grounded 3 prong outlet.
Do not remove ground prong.
Do not use an adapter.
Do not use an extension cord.
Failure to follow these instructions can result in death, fire, or electrical shock.

- **The power supply cord is unplugged.** Plug into grounded 3 prong outlet. See "Electrical Requirements".
- **The power supply cord has tripped (Reset button has popped out).** Press and release RESET (listen for click; Reset button will latch and on some devices, a green light will turn on) to resume operation.
- **A household fuse has blown, or circuit breaker has tripped.** Replace the fuse or reset the circuit breaker. If the problem continues, call an electrician. See "Electrical Requirements".
- **The Power button has not been pressed.** Press the Power button.
- **The local power has failed.** Wait for power to be restored.

Air conditioner blows fuses or trips circuit breakers

- **Too many appliances are being used on the same circuit.** Unplug or relocate appliances that share the same circuit.
- **Time-delay fuse or circuit breaker of the wrong capacity is being used.** Replace with a time-delay fuse or circuit breaker of the correct capacity. See "Electrical Requirements".
- **An extension cord is being used.** Do not use an extension cord with this or any other appliance.
- **You are trying to restart the air conditioner too soon after turning off the air conditioner.** Wait at least 3 minutes after turning off the air conditioner before trying to restart the air conditioner.

Air conditioner power supply cord trips (Reset button pops out)

- **Disturbances in your electrical current can trip (Reset button will pop out) the power supply cord.** Press and release RESET (listen for click; Reset button will latch and on some devices, a green light will turn on) to resume operation.
- **Electrical overloading, overheating, cord pinching or aging can trip (Reset button will pop out) the power supply cord.** After correcting the problem, press and release RESET (listen for click; Reset button will latch and on some devices, a green light will turn on) to resume operation.

NOTE: A damaged power supply cord must be replaced with a new power supply cord obtained from the product manufacturer and must not be repaired.

Air conditioner seems to run too much

- **The current air conditioner replaced an older model.** The use of more efficient components may cause the air conditioner to run longer than an older model, but the total energy consumption will be less. Newer air conditioners do not emit the "blast" of cold air you may be accustomed to from older air conditioners, but this is not an indication of lesser cooling capacity or efficiency. Refer to the efficiency rating (EER) and capacity rating (in Btu/h) marked on the air conditioner.
- **The air conditioner is in a heavily occupied room, or heat-producing appliances are in use in the room.** Use exhaust vent fans while cooking or bathing and try not to use heat-producing appliances during the hottest part of the day. A higher capacity air conditioner may be required, depending on the size of the room being cooled.

Air conditioner cycles on and off too much or does not cool

- **The air conditioner is not properly sized for your room.** Check the cooling capabilities of your room air conditioner. Room air conditioners are not designed to cool multiple rooms.
- **The filter is dirty or obstructed by debris.** Clean the filter.
- **The inside evaporator and outside condenser coils are dirty or obstructed by debris.** See Annual Maintenance.
- **There is excessive heat or moisture (open container cooking, showers, etc.) in the room.** Use a fan to exhaust heat or moisture from the room. Try not to use heat-producing appliances during the hottest part of the day.
- **The louvers are blocked.** Install the air conditioner in a location where the louvers are free from curtains, blinds, furniture, etc.

- **The temperature of the room you are trying to cool is extremely hot.** Allow extra time for the air conditioner to cool off a very hot room.
- **Windows or doors to the outside are open.** Close all windows and doors.
- **The Temp control is not at a cool enough setting.** Adjust the Temp control to a cooler setting by pressing the minus button to reduce the temperature. Set the Fan Speed control to the highest setting.

Water drips from cabinet into your house

- **The air conditioner is not properly leveled.** The air conditioner should slope slightly downward toward the outside. Level the air conditioner to provide a downward slope toward the outside to ensure proper drainage. See the Installation Instructions.

NOTE: Do not drill a hole in the bottom of the metal base and condensate pan.

Made in Thailand
Distributed by:
Costco Wholesale Corporation
P.O.Box 34535
Seattle, WA 98124-1535 USA
1-800-774-2678
www.costco.com

