

Hisense

Quick Start Guide

5.1.2 CH Soundbar with Wireless Subwoofer
Model: AX5120G



Roku TV Ready

- ✓ Simple setup
- ✓ One remote
- ✓ Quick settings

420W
Max Audio Power

Dolby Atmos

dts X

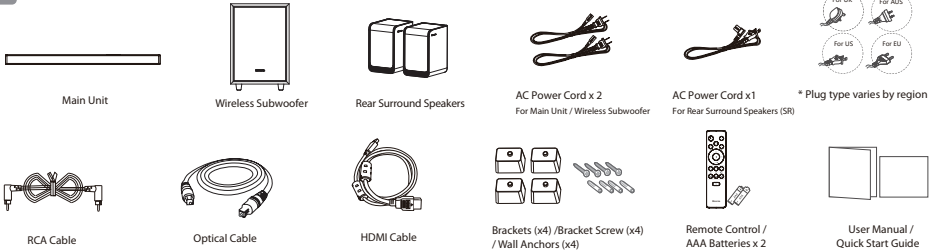
HDMI™
HIGH-DEFINITION MULTIMEDIA INTERFACE

Bluetooth® **CE** **UK CA**

Roku, the Roku logo, Roku TV, Roku TV Ready, and the Roku TV Ready logo are trademarks and/or registered trademarks of Roku, Inc. This product is Roku TV Ready-supported in the United States, United Kingdom, Mexico and Canada. Countries are subject to change. For the most current list of countries in which this product is Roku TV Ready-supported, please email rokutvready@roku.com.



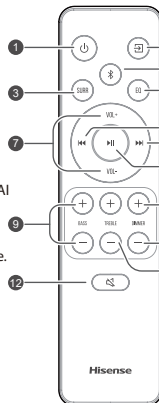
What's in the Box



* Power cord quantity and plug type vary by regions.

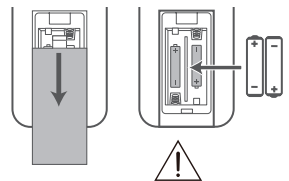
1 Remote Control

- ⏻ Switch the unit between ON and STANDBY mode.
- 📺 [SOURCE] Select the play mode.
- 🔊 [SURR] Adjust the surround ON/OFF.
- 📶 [Bluetooth] Select the Bluetooth mode. Press and hold the (Bluetooth) button to activate the pairing function in Bluetooth mode or disconnect the existing paired Bluetooth device.
- 🎵 [EQ] Select MUSIC/MOVIE/NEWS/SPORT/NIGHT/GAME/AI
- ⏮️/⏭️ Skip to previous/next track in Bluetooth / USB mode.
- 🔊 [VOL+]/[VOL-] Increase/decrease the volume level.
- ⏸️ [II] Play/pause/resume playback in Bluetooth / USB mode. Press and hold the for 3s to enter setup menu. Confirm a selection.
- 🔊 [BASS+/-] Adjust bass level.
- 🔊 [TREBLE+/-] Adjust treble level.
- 🌞 [DIMMER+/-] Adjust display brightness.
- 🔇 [MUTE] Mute or resume the sound.



Replace the Remote Control Battery

- Press and slide the back cover to open the battery compartment of the remote control.
- Insert two AAA size batteries. Make sure the (+) and (-) ends of the batteries match the (+) and (-) ends indicated in the battery compartment.
- Close the battery compartment cover.

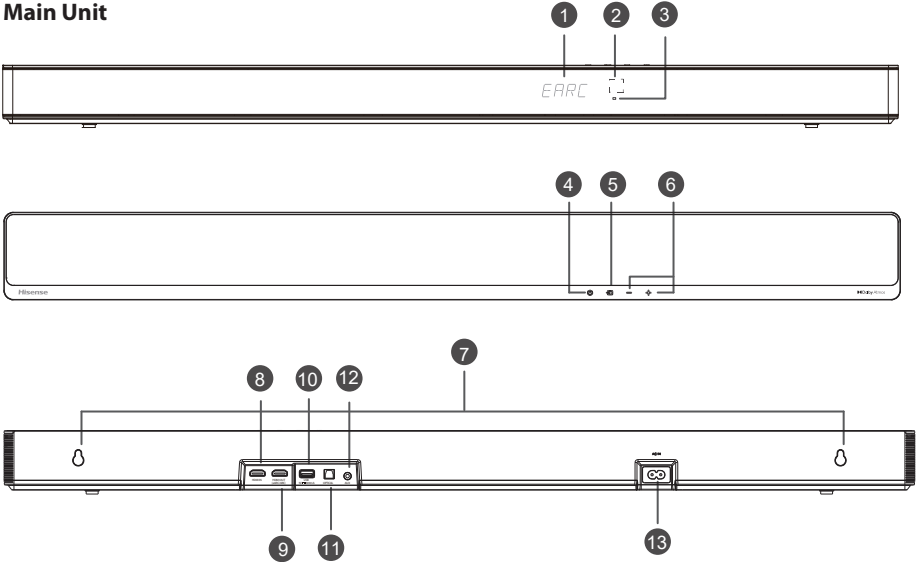


- Do not mix old and new batteries;
- Do not mix alkaline, standard (Carbon-Zinc) or rechargeable (Ni-Cd, Ni-MH, etc.) batteries.

2

Identifying the Parts

Main Unit

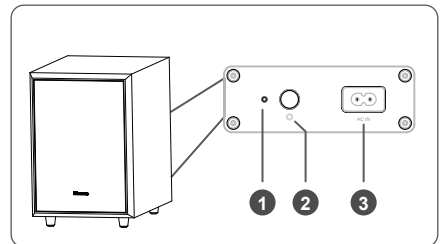


- ① **Display Window**
Show the current status.
 - ② **Remote Control Sensor**
Receive signal from the remote control.
 - ③ **Red Standby Indicator**
- | | |
|---------------|-----------------|
| • Constant on | In Standby mode |
|---------------|-----------------|
- ④ **⏻ (ON/OFF) Button**
Switch the unit between ON and STANDBY mode.
 - ⑤ **📺 (SOURCE) Button**
Select the play mode.
 - ⑥ **+/- (VOL+/VOL-) Button**
Increase/decrease the volume level.
 - ⑦ **Wall Mount**
Install the wall mounting screws into the wall mount of the unit.
 - ⑧ **HDMI IN Socket**
For connecting HDMI source devices, such as a DVD player, Blu-ray Disc™ player, or gaming console.
 - ⑨ **HDMI OUT (TV eARC/ARC) Socket**
The port for connecting a TV. The port supports the eARC/ARC HDMI feature, which allows the soundbar to play audio that originates on the connected TV.
 - ⑩ **USB Socket**
Insert the USB device to play music.
 - ⑪ **OPTICAL Socket**
Connect to the OPTICAL OUT socket on an external device.
 - ⑫ **AUX Socket**
Connect to an external audio device.
 - ⑬ **AC IN Socket**
Connect to the power supply.

Wireless Subwoofer

① Indicator

• Fast blink	The subwoofer in pairing mode
• Constant on	Connected / Paired successfully
• Slow blink	Connection / Pairing failed



② PAIR Button

2 seconds	Clear the pairing record and enter to pairing mode
-----------	--

③ AC IN Socket

Connect to power supply.

3.3 Wireless Rear Surround Speakers

① PAIR Button

2 seconds	Clear the pairing record and enter to pairing mode
-----------	--

② Indicator

• Fast blink	Rear speakers in pairing mode
• Constant on	Connected / Paired successfully
• Slow blink	Connection / Pairing failed

③ RCA Socket

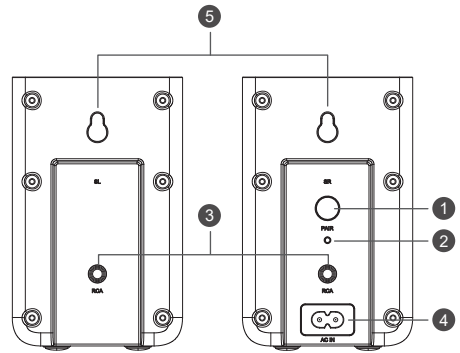
Connect the left and right rear surround speakers.

④ AC IN Socket

Connect to power supply.

⑤ Wall Mount

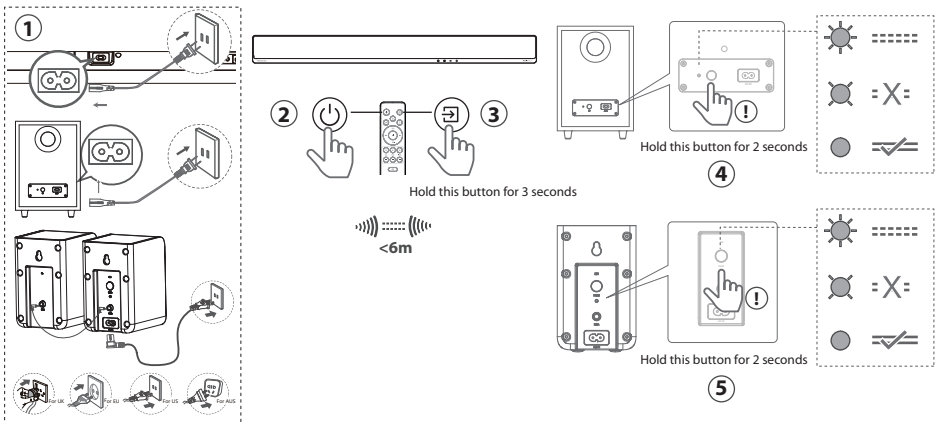
Install the wall screws and brackets into the back of the rear surround speakers.



3 Pair up with the Subwoofer and Rear Surround Speakers

The subwoofer, rear surround speakers and soundbar will be automatically paired when they are powered on.

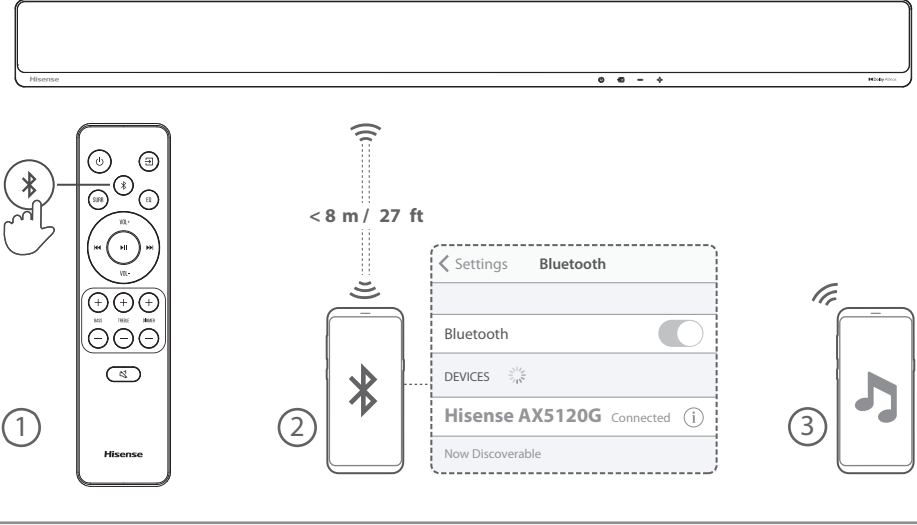
* If no audio from the wireless subwoofer and the rear surround speakers can be heard, manually pair up them.



* Power cord quantity and plug type vary by regions.

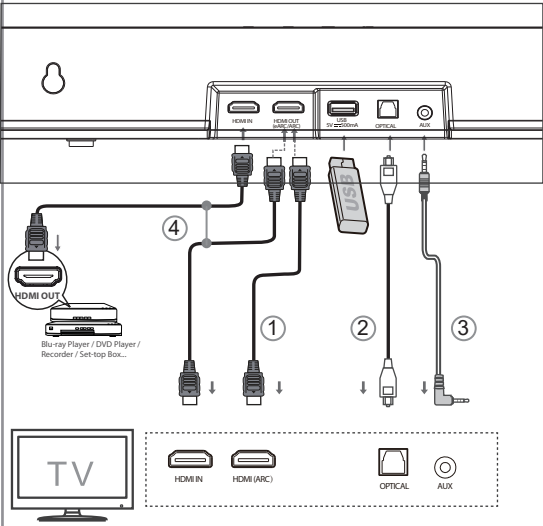
4

Bluetooth(📶) Operation

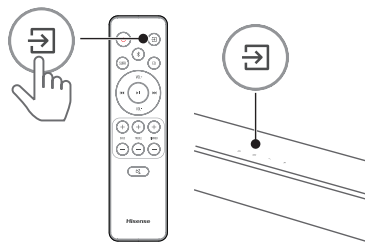


5

Select the play function (📶)

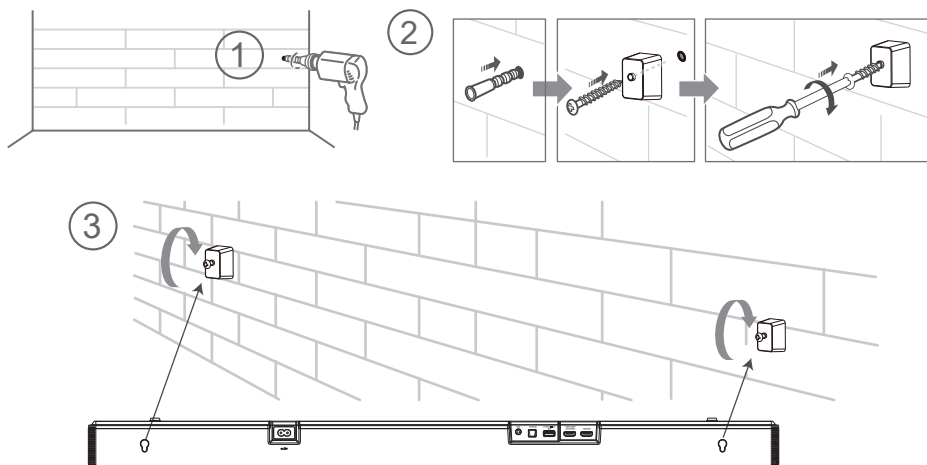
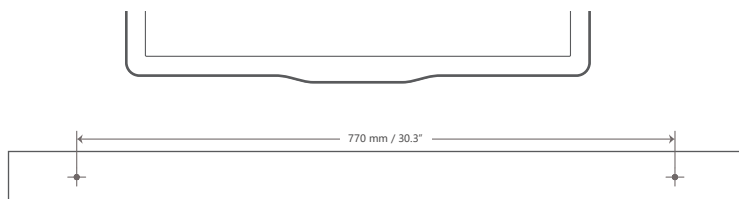


Display	Mode
EARC	HDMI eARC
ARC	HDMI ARC
HDMI	HDMI IN
OPT	OPTICAL
AUX	AUX
USB NO USB NO FILE	USB No USB connected No Music Or No File Supported
BT_IN NO BT	Bluetooth Connected Not Connected

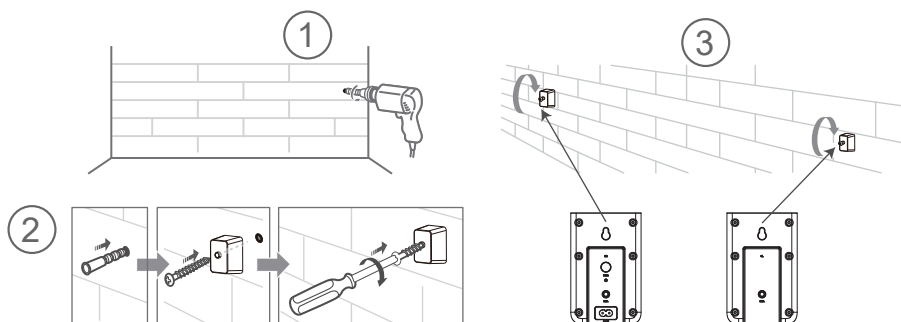


6 Wall Mounting

Mounting the Soundbar on the Wall



Mounting the Rear Surround Speakers on the Wall



F&D 奋达科技		料号	12.005.0004.06525		尺寸(mm)	展开尺寸: 435x210, 成型尺寸: 145x210		环保要求	说明书类说明: 1、公差 (mm): 0<a≤50 (+0.3/-0.2), 50<a≤150 (+1/-0.5), >150 (+1.5/-1, 有特殊要求的, 按标示公差执行。 2、要求图文清晰可辨, 内容完整, 折叠正确, 无重影, 墨屎、杂点、脏点、异物、粉点、套印不准。 3、尺寸按展开尺寸及成型外尺寸测量计算。
项目名称	22年海信H'S512H声音器材项目	产品型号	HS512H		材质	80克环保书纸		■RoHS2.0、Reach	
日期	2023/02/20	部件名称	用户指南		页码P数	6/p		□包装指令94/62/EC	
包装工程师	李小明	平面工程师	LIHONG		颜色	单色印刷		□大豆油墨印刷	
设计版本	变更提出人	变更原因		是否有可参考	表面处理	■无 □光油 □哑油 □水性光油 □水性哑油 □UV油 □光胶 □哑膜 □防刮花哑膜		□无氯漂白工艺	
A0	客户	增加UKCA、CE LOGO 和Made in China		□刀模 ■颜色	工艺	■无 □烫金 □烫银 □击凸 □击凹 □压网 □局部UV □其它		□粘合剂为非石油基	
				□无	条码要求	□无条码 ■有条码 (清晰易扫描)		□油墨中禁止使用矿物油 (法国)	
				■有: 12.005.0004.05984	装订方式	■风琴折 □包心折 □骑马钉 □胶装 □线装 ■对折		□TPCH (美国)	

版本: A/4

折页方式: 左右风琴折(开口朝左)。

封面

