

# Hisense

life reimagined

## **USER'S OPERATION MANUAL**

Before operating this unit, please read this manual thoroughly, and retain for future reference

**WMS017M6XVE**

**WMS017M6XBE**

**EN**

**English**

For questions about features, operation/performance, parts or service, call: 1-877-465-3566

# Table of Contents

Important Safety Instruction.....	1
Installation.....	3
Description of the appliance.....	4
Temperature Control.....	5

Cleaning and Care.....	6
Energy Saving Tips.....	7
Trouble Shooting.....	7
Disposal of the appliance.....	9

## Important safety instructions

For your safety and correct usage, please read these instructions carefully before using your new appliance to avoid unnecessary mistakes and accidents. Please ensure that all people using this appliance are familiar with its operation and safety features. Keep these instructions in a safe place for future reference and be sure that they are kept with the appliance in the event that it is moved or sold, so that everyone using it through its life will be properly informed on its correct appliance usage and safety. The manufacturer is not responsible for damages caused by misuse. The appliance is for indoor and domestic use only.

### Electrical Information

- The appliance must be plugged into its own dedicated 115 V, 60 Hz, AC only electrical outlet. The power cord of the appliance is equipped with a three-prong grounding plug for your protection against electrical shock hazards. It must be plugged directly into a properly grounded three prong receptacle. The receptacle must be installed in accordance with local codes and ordinances. Consult a

qualified electrician. Avoid connecting refrigerator to a Ground Fault Interruptor (GFI) circuit. Do not use an extension cord or adapter plug.

- If the SUPPLY CORD is damaged, it must be replaced by the manufacturer, its service agent or similarly qualified person in order to avoid a hazard.
- Never unplug the refrigerator by pulling on the power cord. Always grip the plug firmly, and pull straight out from the receptacle to prevent damaging the power cord.
- Unplug the refrigerator before cleaning and before replacing a light bulb to avoid electrical shock.
- Performance may be affected if the voltage varies by 10% or more. Such damage is not covered under your warranty.
- Do not plug the unit into an electrical outlet controlled by a wall switch or pull cord to prevent the refrigerator from being turned off accidentally.



### Fire Hazard

The appliance contains a small quantity of refrigerant (R600a) which is environmentally friendly but potentially flammable in the refrigerant circuit.

## Safety for Children and Others

### Who are Vulnerable

- This appliance is not intended for use by persons (including children) with reduced physical, sensory or mental capabilities, or lack of experience and knowledge, unless they have been given supervision or instruction concerning the use of the appliance by a person responsible for their safety. Children should be supervised to ensure that they do not play with the appliance.
- Keep all packaging away from children to avoid risk of suffocation.
- If you are discarding your old appliance, pull the plug out of the socket, cut the connection cable (as close to the appliance as you can). Cut off the main plug and discard. Break off any old locks or latches as a safeguard and remove the door to prevent children playing from suffering an electric shock or from closing themselves inside it.

### General safety and Daily use

- This appliance is intended to be used in household and similar applications such as:
  - staff kitchen areas in shops, offices and other working environments;
  - farm houses and by clients in hotels, motels and other residential type environments;
  - bed and breakfast environments;
  - catering and similar non-retail applications.
- Do not store flammable gases or liquids inside the appliance. There is a risk of an explosion.
- Do not operate any electrical appliances within the appliance (e.g. electric ice cream makers, mixers, etc.).
- When unplugging, always pull the

plug from the main outlet. Do not pull on the cord.

- Do not place hot items near the plastic components of this appliance.
- Do not place food products directly against the air outlet on the rear wall.
- Frozen food must not be refrozen once it has been thawed out.
- Store pre-packaged frozen food in accordance with the frozen food manufacturer's instructions.
- The appliance's manufacturer storage recommendations should be strictly adhered to. Refer to the relevant instructions for storage.
- Do not place carbonated or fizzy drinks in the freezer compartment as it creates pressure on the container, which may cause it to explode, resulting in damage to the appliance.
- Ice lollies (popsicles) can cause frost burns if consumed straight from the freezer compartment.
- Do not place food directly against the air outlet inside the refrigerator.
- Do not place the appliance in direct sunlight.
- Do not store explosive substances such as aerosol cans with a flammable propellant in this appliance.

### Proper Disposal of your

#### Refrigerator

#### **WARNING: Risk of Child Entrapment**

Before you throw away your old refrigerator or freezer:

- \* Take off the doors.
  - \* Leave the shelves in place so that children may not easily climb inside.
- MISE EN GARDE : Risque d'enfermer les enfants. Avant de jeter votre vieux réfrigérateur ou congélateur :
- \* Retirer les portes.
  - \* Laisser les tablettes en place pour que les enfants ne puissent pas facilement grimper à l'intérieur.

# Installation

Before installing, follow these important first steps.

## Location

Position the appliance away from sources of heat such as stoves, radiators, direct sunlight etc. Maximum performance and safety are guaranteed by maintaining the correct indoor temperature for the class of unit concerned, as specified on the rating plate. This appliance performs well

from 12.8 to 43.3 °C (55-110 °F). The appliance may not work properly if it is left for a longer period at a temperature above or below the indicated range.

### **IMPORTANT!**

There is a need of good ventilation around the fridge for easy dissipation of heat, high efficiency of refrigeration and low power consumption. For this purpose, sufficient clear space should be available around the fridge. It is advisable for there to be 75 mm (3 inch) separating the back of the fridge to the wall, at least 100 mm (4 inch) of space at its two sides, and a minimum of 100 mm (4 inch) from its top and a clear space up front to allow the doors to open 180°.

Appliances must not be exposed to rain. Sufficient air must be allowed to circulate in the lower rear section of appliance, as poor air circulation can affect performance.

**WARNING!!!** The foam pad above the compressor is only suitable for transport and must be removed before use.

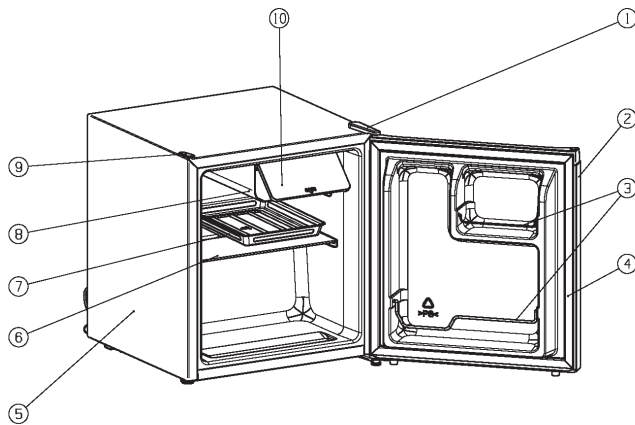
## Cleaning

- Wash any removable parts of the refrigerator interior, and exterior with mild detergent and warm water. Wipe dry. Do not use harsh cleaners on these surfaces.
- Do not use razor blades or other sharp instruments, which can scratch the appliance surface when removing adhesive labels. Any glue left from the tape can be removed with a mixture of warm water and mild detergent, or touch the residue with the sticky side of tape already removed. Do not remove the serial plate.

**Caution:** flammable refrigerant used! When handling, moving and use of the refrigerator, make sure to avoid either damaging the refrigerant tubing, or increasing the risk of a leak.

- **WARNING:** Keep ventilation openings, in the appliance enclosure or in the built-in structure, clear of obstruction.
- **WARNING:** Do not use mechanical devices or other means to accelerate the defrosting process, other than those recommended by the manufacturer.
- **WARNING:** Do not damage the refrigerant circuit.
- **WARNING:** Do not use electrical appliances inside the food storage compartments of the appliance, unless they are of the type recommended by the manufacturer.

# Description of the Appliance



- ① upper hinge cover
- ② refrigerator door
- ③ door rack
- ④ gasket part
- ⑤ cabinet
- ⑥ glass shelf
- ⑦ water drain tray
- ⑧ rollbond evaporator
- ⑨ screw hole cover
- ⑩ chiller room cover

**NOTE: This figure is only a sketch of the refrigerator, the actual product may differ from it.**

## State of California Proposition 65 Warnings:

**WARNING:** This product contains one or more chemicals known to the State of California to cause cancer.

**WARNING:** This product contains one or more chemicals known to the State of California to cause birth defects or other reproductive harm.

**California (U.S.A.) Residents**    **WARNING:** Cancer and Reproductive Harm - [www.P65Warnings.ca.gov](http://www.P65Warnings.ca.gov)

## Reversing the Door

The side at which the door opens can be changed from the right side (as supplied) to the left side, if the installation site requires.

Tools you will need:

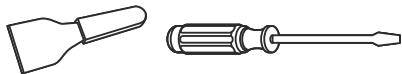
1. Wrench (5/16", 8mm)



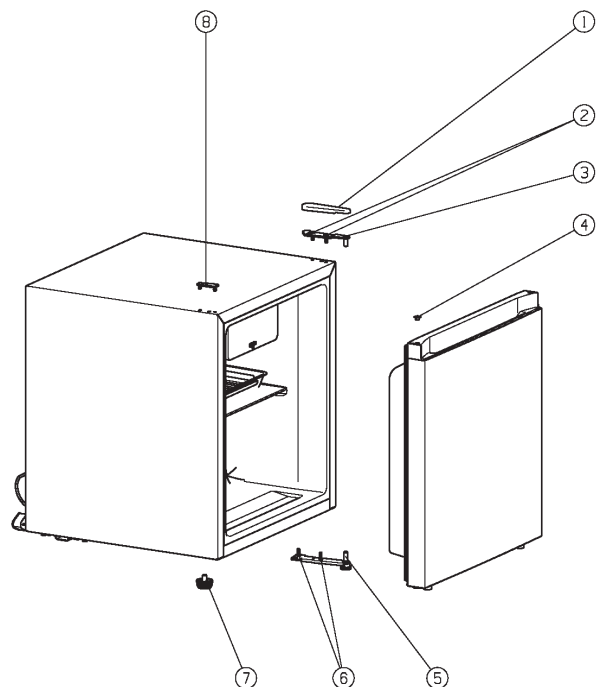
2. Philips Screwdriver



3. Putty knife or thin-blade screwdriver



Before you start lay the refrigerator on it's back in order to gain access to the base, you should rest it on soft foam packaging or similar material to avoid damaging the cooling pipes at the rear of the refrigerator.



- |                     |                                     |               |                    |
|---------------------|-------------------------------------|---------------|--------------------|
| ① upper hinge cover | ② special flange self-tapping screw | ③ upper hinge | ④ hinge hole cape  |
| ⑤ lower hinge       | ⑥ special flange self-tapping screw | ⑦ bottom feet | ⑧ screw hole cover |

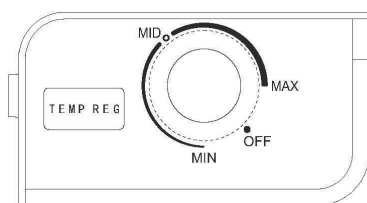
- Open the refrigerator door and remove all fittings inside the door.
- Remove the upper hinge cover ① .
- Remove the two screws ② that connect the upper hinge ③ on the right side of the cabinet top.
- Carefully lift the door and place it on a padded surface to prevent scratching.
- Remove the screw hole cover ⑧ and hinge hole cap ④ and transfer it to the uncovered hole on the right side of the unit. Be sure to press the button firmly into the hole.

- Remove the two screws ⑥ that hold the lower hinge ⑤ on the right side of the cabinet.
- Remove the bottom feet ⑦ and transfer it to the right side of the cabinet.
- Set the door into its new place making sure the pin enters the bushing at the lower frame section (hole).
- Secure the upper hinge ③ previously removed in step 4 on the left side of the unit. Make sure the pin enters the bushing on the upper frame section (hole).
- Loosely secure the lower hinge ⑤ and do not tighten the bolts until the door is in the closed position and leveled.
- Replace the upper hinge cover ① .
- Turn the door upright again.
- Open the door and attach all fittings.

## Temperature Control

Insert the plug of the connection lead into an outlet with protective earth contact.

The temperature selector knob is located on the right side of the fridge.



### Temperature Control

#### Setting OFF means

Turning the temperature control “OFF” position stops the cooling cycle, but does not shut off the power to the refrigerator.

Turn the knob clockwise to turn the refrigerating unit on. Coldest setting is all the way to “MAX” position. The unit operates automatically at the set position. If the unit is unplugged , power lost, or turned off, you must wait 3 to 5 minutes before restarting the unit. If you attempt to restart before this time delay, the refrigerator will not start.

#### Setting MIN means:

Highest temperature, warmest setting.

#### Setting MAX means:

Lowest temperature, coldest setting.

#### Setting MID means:

Middle temperature, middle setting.

#### ⚠ IMPORTANT !

Normally we advise you select setting of “MID”, if you want the temperature warmer or colder please turn the knob to lower or higher setting accordingly. Though the unit is energy efficient, it is more efficient at lower position settings.

#### ⚠ IMPORTANT !

High ambient temperatures (e.g. on hot summer days) and a cold setting on the temperature regulator (position “MAX” ) can cause the compressor to run continuously or even non-stop! When the refrigerator is in use, the compressor needs being on and off normally to ensure its defrosting. Therefore, we should avoid setting the refrigerator’s notch too high(MAX). If you find the refrigerator frosts too much, please set the refrigerator’s notch lower.

#### **Vacation Tips: If the appliance will not be used for several months:**

- Remove all food.
- Unplug the power cord.
- Clean and dry thoroughly.
- Leave the door open slightly to prevent odour and mould growth .

## Cleaning and Care

For hygienic reasons the appliance interior, including interior accessories, should be cleaned regularly. The fridge should be cleaned and maintained at least every two months.

### **Warning! Danger of electrical shock!**

- The appliance may not be connected to the outlet during cleaning! Before cleaning switch the appliance off and remove the plug from the mains, or switch off the circuit breaker or fuse.
- Remove the food from the appliance before cleaning. Store food in a cool place and keep well covered.
- Never clean the appliance with a steam cleaner. Moisture could accumulate in electrical components.
- Hot vapors can lead to the damage of plastic parts.
- The appliance must be dry before it is placed back into service.

### **IMPORTANT!**

- Ethereal oils and organic solvents can attack plastic parts, e.g. lemon juice or the juice from orange peel, butyric acid, and cleansers that contain acetic acid. Do not allow such substances to come into contact with appliance parts.
- Do not use any abrasive cleansers.
- Clean the appliance and the

interior accessories with a cloth and lukewarm water. Commercially available dish washing detergents may also be used.

- After cleaning, wipe with fresh water and a clean dish cloth.
- Accumulation of dust at the condenser increases energy consumption. For this reason carefully clean the condenser at the back of the appliance once a year with a soft brush or a vacuum cleaner.
- Check the water drain hole on the rear wall of the refrigerator compartment.
- Clear a blocked drain hole with the aid of something like a soft peg. Be careful not to create any damage to the cabinet by sharp objects.
- After everything is dry, place appliance back into service.

### **Defrosting Your Refrigerator**

- Defrosting process is automatic. Melted frost flows into drip tray and automatically evaporates.

- During the defrost cycle, water will accumulate in the drip tray. The drip tray may need to be emptied during the defrost cycle. Do not leave unattended.
- After defrosting is complete, empty

and wipe down the drip tray, as well as the interior of the refrigerator. You may now reset the refrigerator to the desired temperature and put the food back in.

## Energy Saving Tips

- Do not place warm foods into the appliance. Allow warm foods to cool first. Do not install the appliance near cookers, radiators or other sources of warmth. High ambient temperatures cause longer, more frequent operation of the compressor.
- In order to make the cooling system work efficiently, please make sure the side plates and back plate of the product are with some distance from the wall. It is strongly recommended that its back is 75 mm (3 inch) away from the wall, its sides are at least have a space of 100 mm (4 inch) separately and the height from over its top is no less than 100 mm (4 inch) .
- When the product works, please do not open the door too often or leave the door open any longer than necessary.
- Do not set temperature any colder than necessary.
- The direct cooling refrigerator (with a freezer) needs to be defrosted when necessary. This will improve the cold transfer and reduce energy consumption.
- The sketch map shows the right combination of the shelves which can lead to more energy efficiency.
- If users adjust the combination, it may result in more energy-consumption.
- Store food logically. Do not exceed the storage period specified.

## Trouble Shooting

### Correcting Malfunctions

A malfunction may be caused by only a minor fault that you can rectify yourself using the following instructions. Do not perform any other work on the appliance if the following information does not provide assistance in your specific case.

Please keep upright at least 2 hours before use to prevent damage of compressor.

### **IMPORTANT!**

Repairs to refrigerators/freezers should only be performed by qualified service technician. Improper repairs can give rise to significant hazards for the user. If your appliance needs repairing, please contact your specialist dealer or your local Service Center.



Problem	Possible	Cause Solution
Appliance does not work.	Appliance is not switched on.	Switch on the appliance.
	Main plug is not plugged in or is loose.	Insert main plug.
	Fuse has blown or is defective.	Check fuse, replace if necessary.
	Socket is defective.	Electrical malfunctions are to be corrected by an electrician.
Appliance cools too much.	Temperature is set too cold.	Turn the temperature regulator to a warmer setting temporarily.
The food is too warm.	Temperature is not properly adjusted.	Please look in the "temperature control" section.
	Door was open for an extended period.	Open the door only as long as necessary.
	A large quantity of warm food was placed in the appliance within the last 24 hours.	Turn the temperature regulation to a colder setting temporarily.
	The appliance is near a heat source.	Please look in the "installation" section.
Heavy build-up of frost, possibly also on the door seal.	Door seal is not air-tight (possibly after reversing the door).	Carefully warm the leaking sections of the door seal with a hair dryer (on a cool setting). At the same time shape the warmed door seal by hand such that it sits correctly.
Unusual noises	Appliance is not level.	Re-adjust the feet.
	The appliance is touching the wall or other objects.	Move the appliance slightly.
	A component, e.g. a pipe, on the rear of the appliance is touching another part of the appliance or the wall.	If necessary, carefully bend the component out of the way.
The compressor does not start immediately after changing the temperature setting.	This is normal, no error has occurred.	The compressor starts after a period of time.
Water on the floor or storage shelves.	Check that the drip tray is housed properly. Drip tray is full of water.	See the "cleaning and care" section.

## Disposal of the appliance

It is prohibited to dispose of this appliance as household waste.



Packaging materials:

Packaging materials with the recycle symbol are recyclable. Dispose of the packaging into a suitable waste collection container to recycle it.

Before disposal of the appliance:

1. Pull out the main plug from the main socket.
2. Cut off the power cord and discard with the main plug.

**Warning!** Refrigerators contain refrigerant and gases in the insulation. Refrigerant and gases must be disposed of professionally as they may cause eye injuries or ignition. Ensure that tubing of the refrigerant circuit is not damaged prior to proper disposal.

	<b>Correct Disposal of this product</b>
 	<p>This symbol on the product or in its packing indicates that this product may not be treated as household waste. Instead, it should be taken to the appropriate waste collection point for the recycling of electrical and electronic equipment. By ensuring this product is disposed of correctly, you will help prevent potential negative consequences for the environment and human health, which could otherwise be caused by the inappropriate waste handling of this product. For more detailed information about the recycling of this product, please contact your local council, your household waste disposal service, or the shop where you purchased the product.</p>

# Hisense

life reimagined

## MANUAL DE OPERACIÓN DE USUARIO

Antes de utilizar este aparato, lea detenidamente este manual y consérvelo para consultas futuras

**WMS017M6XVE**

**WMS017M6XBE**

ES

Español

Si tiene alguna consulta sobre las características, funcionamiento/rendimiento, piezas o servicio, llame al: 1-877-465-3566

# Table of Contents

Instrucciones importantes de seguridad.....1	Limpieza y mantenimiento.....6
Instalación.....3	Consejos de ahorro de energía.....7
Descripción del aparato.....4	Solución de problemas .....7
Control de temperatura.....5	Solución de problemas .....9

## Instrucciones importantes de seguridad

Por su seguridad y para hacer un uso correcto, lea atentamente estas instrucciones antes de utilizar su aparato nuevo a fin de evitar equivocaciones innecesarias y accidentes. Asegúrese de que todas las personas que utilizan este aparato estén familiarizadas con su funcionamiento y sus funciones de seguridad. Conserve estas instrucciones en un lugar seguro para consultas futuras y asegúrese de mantenerlas junto al aparato en caso de traslado o venta, de forma que toda persona que lo uso durante su vida útil esté adecuadamente informado acerca del uso correcto y la seguridad del aparato. El fabricante no se hará responsable de daños derivados de un mal uso. El aparato está destinado únicamente a un uso en interiores y doméstico.

### Información eléctrica

- El aparato debe enchufarse a su propia toma de corriente de 115 V, 60 Hz, CA únicamente. El cable eléctrico del aparato dispone de un enchufe con conexión a tierra de tres clavijas para protección contra el riesgo de descargas eléctricas. Se debe enchufar directamente a un recéptaculo para tres clavijas con conexión a tierra. El receptáculo debe estar instalado en conformidad con los códigos y

ordenanzas locales. Consulte con un electricista cualificado. Evite conectar el refrigerador a un circuito por falla de tierra (GFI). No utilice un cable alargador ni un adaptador.

- Si el CABLE DE SUMINISTRO está dañado, lo debe reemplazar el fabricante, el agente de servicio o una persona similar calificada para evitar peligros.
- Nunca desenchufe el refrigerador estirando del cable eléctrico. Agarre siempre el enchufe con firmeza y extráigalo del receptáculo para evitar dañar el cable eléctrico.
- Desenchufe el refrigerador antes de limpiarlo y antes de sustituir la bombilla para evitar descargas eléctricas.
- El rendimiento podría verse afectado si la tensión variara en un 10 % o más. Estos daños no están cubiertos por la garantía.
- No enchufe la unidad a una toma eléctrica controlada con un interruptor ni un cable tractor para evitar apagar el refrigerador por accidente.



### Riesgo de incendio

El circuito refrigerante del aparato contiene una pequeña cantidad de refrigerante (R600a) respetuoso con el medio ambiente pero potencialmente inflamable.

## Seguridad de los niños y otras personas vulnerables

- Este aparato no ha sido diseñado para que lo utilicen personas (incluidos niños) con capacidades físicas, sensoriales o mentales reducidas, o con falta de experiencia o conocimientos, a menos que estén supervisados o reciban instrucciones acerca del uso del aparato por parte de una persona responsable de su seguridad. Los niños deben estar supervisados para garantizar que no jueguen con el aparato.
- Mantenga todo el material de embalaje lejos del alcance de los niños para evitar riesgos de asfixia.
- Si se dispone a eliminar el aparato usado, desenchúfelo de la toma, corte el cable de conexión (lo más cerca posible del aparato), corte el enchufe eléctrico y elimínelo. Rompa los cerrojos o pestillos de protección y retire la puerta para evitar que niños jueguen con el aparato y sufran una descarga eléctrica o queden atrapados en su interior.

## Seguridad general y uso diario

- Este electrodoméstico está destinado para ser utilizado en el hogar y para aplicaciones como:
  - áreas de cocinas de personal en tiendas, oficinas y otros entornos de trabajo;
  - granjas y para clientes en hoteles, moteles y otro tipo residencial;
  - entornos de desayunos y hogar;
  - servicios de hostelería y aplicaciones similares.
- No almacene gases ni líquidos inflamables en el aparato. Existe riesgo de explosión.
- No utilice aparatos eléctricos dentro del aparato (p. ej. heladoras eléctricas, batidoras, etc.).
- Para desenchufarlo, estire siempre

del enchufe. No estire del cable.

- No coloque artículos calientes cerca de los componentes de plástico del aparato.
- No coloque alimentos directamente contra la salida de aire en la pared trasera.
- Los alimentos congelados no deben ser recongelados una vez que hayan sido descongelados.
- Almacene los alimentos envasados siguiendo las instrucciones del fabricante de alimentos congelados.
- Se deben seguir estrictamente las recomendaciones de almacenamiento del fabricante del electrodoméstico. Refiérase a las instrucciones relevantes sobre el almacenamiento.
- No coloque bebidas gasificadas o efervescentes en el congelador ya que se crea una presión en el contenedor y podría explotar y dañar el aparato.
- Los alimentos congelados pueden provocar quemaduras por congelación si se consumen directamente al sacarlos del congelador.
- No coloque alimentos directamente contra la salida de aire del panel trasero.
- No coloque el aparato bajo la luz solar.
- No almacene las sustancias explosivas tales como latas de aerosol con un propulsor inflamable en este aparato.

## Eliminación adecuada de su refrigerador

### ADVERTENCIA: Riesgo de atrapamiento de niños

Antes de tirar su viejo refrigerador o congelador:

\* Quite las puertas.

\* Deje los estantes en su lugar para que los niños no puedan trepar fácilmente al interior.

# Instalación

Antes de instalarlo, siga estos primeros pasos importantes.

## Ubicación

Coloque el aparato lejos de fuentes de calor, como estufas, radiadores, la luz directa del sol, etc. El máximo rendimiento y seguridad se garantizan manteniendo una temperatura interior correcta para la clase de unidad implicada, como se especifica en la placa de características. Este aparato tiene un buen rendimiento entre 12,8 a 43,3 °C (55-110 °F). Es posible que el aparato no funcione correctamente si se deja durante un periodo más largo a una temperatura superior o inferior al rango indicado.

### ¡IMPORTANTE!

Es necesario tener una buena ventilación alrededor del refrigerador para permitir que se disipe el calor, para una alta eficiencia de refrigeración y un bajo consumo energético. Por este motivo, debe haber disponible suficiente espacio libre alrededor del refrigerador. Se recomienda dejar al menos 75 mm (3 pulgadas) de separación entre la parte trasera del refrigerador y la pared, al menos 100 mm (4 pulgadas) a ambos lados, un mínimo de 100 mm (4 pulgadas) encima pared y un espacio libre delante que permita abrir las puertas en 180°. No se debe exponer el aparato a la lluvia. Se debe permitir que circule aire suficiente en la sección inferior trasera del aparato, ya que la mala circulación de aire puede afectar a su rendimiento.

**¡ADVERTENCIA!** La almohadilla de espuma por encima del compresor sólo es adecuada para el transporte y debe retirarse antes de su uso.

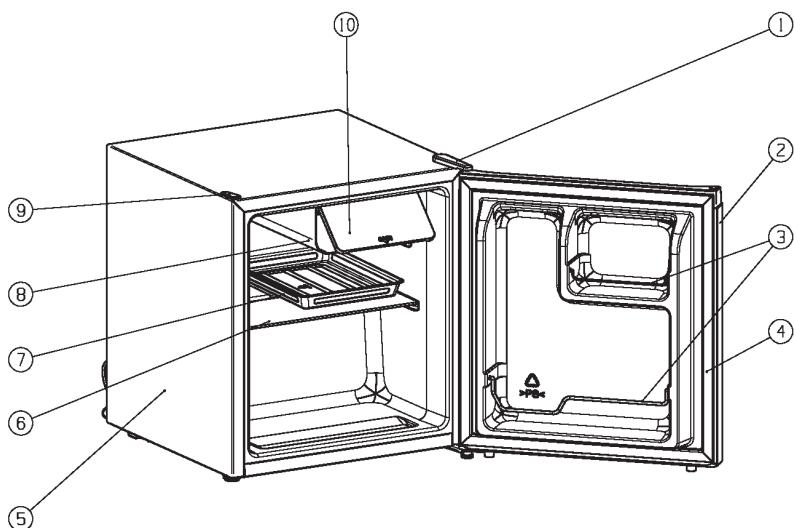
## Limpieza

- Lave las piezas extraíbles del interior del refrigerador y su exterior con detergente suave y agua tibia. Séquelos. No utilice limpiadores abrasivos en estas superficies.
- No utilice cuchillas ni otros instrumentos afilados para retirar las etiquetas adhesivas, ya que podría arañar la superficie del aparato. Es posible retirar los restos de pegamento de la cinta adhesiva con una mezcla de agua tibia y detergente suave, o tocando el residuo con el lado pegajoso de la cinta ya retirada. No retire la placa de serie.

**Precaución:** refrigerante inflamable utilizado! Cuando manipule, traslade o utilice el refrigerador, asegúrese de evitar dañar las tuberías de refrigerante, ya que aumentaría el riesgo de fugas.

- **ADVERTENCIA:** Mantenga las aperturas de ventilación de la carcasa del aparato o de las estructuras integradas libres de obstrucciones.
- **ADVERTENCIA:** No utilice dispositivos mecánicos ni otros medios no recomendados por el fabricante para acelerar el proceso de descongelación.
- **ADVERTENCIA:** No dañe el circuito refrigerante.
- **ADVERTENCIA:** No utilice electrodomésticos eléctricos, a menos que sean del tipo recomendado por el fabricante, dentro de los compartimientos de almacenamiento del electrodoméstico.

# Descripción del aparato



- ① Cubierta de la bisagra superior
- ② Puerta del refrigerador
- ③ Estante de la puerta Gabinete
- ④ Pieza de junta
- ⑤ Gabinete
- ⑥ Estante de vidrio
- ⑦ Bandeja de drenaje de agua
- ⑧ Evaporador rollbond
- ⑨ Cobertor del orificio del tornillo
- ⑩ Cubierta de sala de refrigeración

**NOTA:** Esta figura es sólo un boceto del refrigerador, el producto real puede diferir de la cual.

## Advertencias de la Propuesta 65 del estado de California:

**ADVERTENCIA:** Este producto contiene uno o más productos químicos que, según el estado de California, provocan cáncer.

**ADVERTENCIA:** Este producto contiene uno o más productos químicos que, según el estado de California, provocan defectos de nacimiento u otros daños reproductivos.

**California (EE. UU.) Residentes** **ADVERTENCIA:** Cáncer y daños reproductivos: [www.P65Warnings.ca.gov](http://www.P65Warnings.ca.gov)

## Cambio del lado en el que se abre la puerta

Si el lugar de la instalación lo requiere, se puede cambiar el lado en el que se abre la puerta, desde el lado derecho (de fábrica) al lado izquierdo.

Herramientas que necesitará:

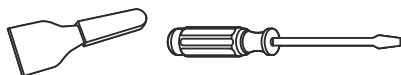
1. Llave (5/16", 8mm)



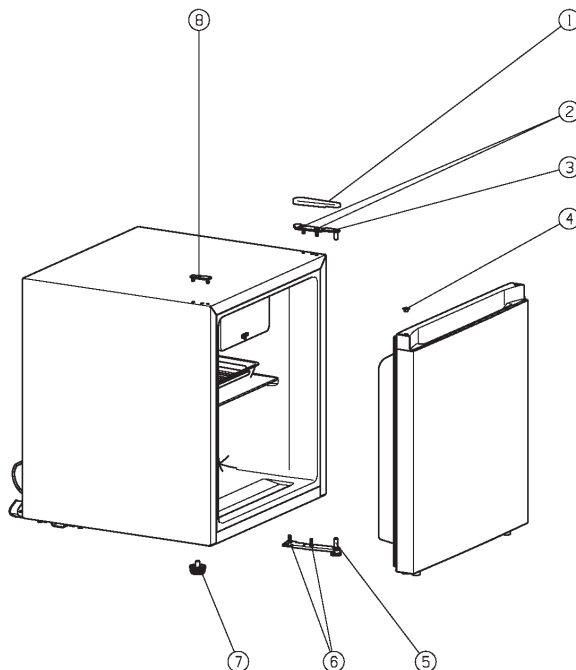
2. Destornillador Philips



3. Espátula o destornillador de punta plana



Antes de comenzar, coloque el refrigerador sobre su parte posterior para poder acceder a la base, debe apoyarlo sobre un embalaje de espuma suave o material similar para evitar dañar los tubos de enfriamiento de la parte posterior del frigorífico.



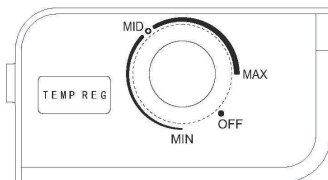
- |                                   |  |  |
|-----------------------------------|--|--|
| ① Cubierta de la bisagra superior | ② Tornillo autorroscantes de la brida especial | ③ Bisagra superior                             |
| ④ Tapa de agujero de bisagra      | ⑤ Bisagra inferior                             | ⑥ Tornillo autorroscantes de la brida especial |
| ⑦ Patas inferiores                | ⑧ cobertor del orificio del tornillo           |  |

- Abra la puerta del refrigerador y retire todos los accesorios dentro de la puerta.
- Retire la cubierta de la bisagra superior ①.
- Retire los dos tornillos ② que conectan la bisagra superior ③ en el lado derecho de la parte superior del gabinete.
- Levante con cuidado la puerta y colóquela sobre una superficie acolchada para evitar que se raye.
- Retire la tapa del orificio del tornillo ⑧ y la tapa del orificio de la bisagra ④ y transfírala al orificio descubierto en el lado derecho de la unidad. Asegúrese de presionar el tapón firmemente en el orificio.
- Retire los dos tornillos ⑥ que sujetan la bisagra inferior ⑤ en el lado derecho del gabinete.
- Retire los pies inferiores ⑦ y transfíralo al lado derecho del gabinete.
- Coloque la puerta en su nuevo lugar asegurándose de que el perno entre en el casquillo de la sección inferior (orificio).
- Asegure la bisagra superior ③, que se quitó previamente en el paso 4, en el lado izquierdo de la unidad. Compruebe que el perno entra en el casquillo de la sección superior (orificio).
- Fije flojamente la bisagra inferior ⑤ y no apriete los pernos hasta que la puerta esté en la posición cerrada y nivelada.
- Vuelva a colocar la cubierta de la bisagra superior ①.
- Gire la puerta en posición vertical de nuevo.
- Abra la puerta y coloque todos los accesorios.

## Control de temperatura

Inserte el enchufe del cable de conexión a una toma con contacto de tierra protector.

La perilla de selección de temperatura se encuentra en el lado derecho del refrigerador.



**Control de temperatura**

### Ajuste OFF significa

Colocar el control de temperatura en la posición "OFF" detiene el ciclo de refrigeración, pero no apaga la alimentación del refrigerador.

Gire la rueda en sentido horario para encender el refrigerador. El ajuste más frío es la posición "MAX". La unidad funciona automáticamente en la posición establecida. Si se desenchufa la unidad, se interrumpe la alimentación o se apaga, debe esperar entre 3 y minutos para volver a encenderla. Si intenta volver a encenderla antes de este intervalo, el refrigerador no se encenderá.

### Ajuste MIN significa:

Temperatura más alta, ajuste más caliente.

### Ajuste MID significa:

Temperatura más baja, ajuste más frío.

### Ajuste MAX significa:

Temperatura media, ajuste medio.

### ⚠ ¡IMPORTANTE!

Normalmente, se recomienda seleccionar el ajuste "MID". Si desea una temperatura más alta o más baja, gire la perilla a un ajuste más caliente o frío en correspondencia. Aunque la unidad es eficiente energéticamente, es más eficiente con ajustes más bajos.

### ⚠ ¡IMPORTANTE!

La temperatura ambiente alta (ej.: en días de calor de verano) y una configuración más fría en el regulador de temperatura (posición "MAX") puede hacer que el compresor funcione de manera continua, o ¡que no pare! Cuando el refrigerador está en uso, el compresor necesita estar encendido y apagado normalmente para asegurar su descongelación. Por lo tanto, debemos evitar poner la muesca del refrigerador demasiado alta (MAX). Si encuentra que el refrigerador se congela demasiado, establezca la muesca del refrigerador más baja.

### Consejos para las vacaciones: Si no se va a utilizar el aparato durante varios meses:

- Retire todos los alimentos.
- Desenchufe el cable eléctrico.
- Limpie y seque bien el aparato.
- Deje la puerta ligeramente abierta para evitar que aparezcan olores y moho.



# Limpieza y mantenimiento

Por motivos de higiene, se debe limpiar periódicamente el interior del aparato, incluidos los accesorios interiores. Se debe limpiar y realizar el mantenimiento del refrigerador al menos una vez cada dos meses. Por motivos de higiene, se debe limpiar periódicamente el interior del aparato, incluidos los accesorios interiores. Se debe limpiar y realizar el mantenimiento del refrigerador al menos una vez cada dos meses.

## ¡Advertencia! ¡Existe peligro de descarga eléctrica!

- ¡El aparato no debe estar conectado a la corriente durante la limpieza! Antes de limpiarlo, apague el aparato y desenchúfelo de la corriente, o apague el interruptor o el fusible.
- Retire los alimentos del aparato antes de limpiarlo. Almacénelos en un lugar fresco y cúbralos bien.
- Nunca limpie el aparato con un limpiador de vapor. Podría acumularse humedad en los componentes eléctricos.
- Los vapores calientes pueden producir daños en las piezas de plástico.
- Se debe secar el aparato antes de volver a ponerlo en funcionamiento.

## ¡IMPORTANTE!

- Los aceites etéreos y los disolventes orgánicos pueden afectar a las piezas de plástico, p. ej. el zumo de limón o de naranja, ácido butírico y limpiadores con contenido de ácido acético. No permita que dichas sustancias entren en contacto con las piezas del aparato.
- No utilice limpiadores abrasivos.
- Limpie el aparato y los accesorios

interiores con un paño y agua tibia. También puede usar detergentes lavavajillas disponibles comercialmente.

- Después de la limpieza, utilice agua fresca y un paño de cocina limpio.
- La acumulación de polvo en el condensador aumenta el consumo energético. Por este motivo, limpie detenidamente el condensador de la parte trasera del aparato una vez al año con un cepillo suave o un aspirador.
- Compruebe el orificio de drenaje de agua de la pared trasera del compartimento del refrigerador.
- Despeje los orificio de drenaje obstruidos con un objeto similar a una clavija suave. Tenga cuidado de no dañar el armario con objetos afilados.
- Una vez se haya secado todo, puede volver a utilizar el aparato.

## Descongelar el refrigerador

- El proceso de descongelación es automático; La escarcha derretida fluye hacia la bandeja de goteo y se evapora automáticamente.

- Durante el ciclo de descongelación, se acumulará agua en la bandeja para gotas. Es posible que necesite vaciar la bandeja para gotas durante el ciclo de descongelación. No deje el aparato desatendido.
- Una vez completada la

descongelación, vacíe y limpie la bandeja para gotas y el interior del refrigerador. Ahora puede restablecer el refrigerador a la temperatura deseada y volver a introducir los alimentos.

## Consejos de ahorro de energía

- No coloque alimentos calientes en el aparato. Primero deje que se enfríen. No instale el aparato cerca de fogones, radiadores u otras fuentes de calor. La temperatura ambiente elevada podría hacer que el aparato funcione más tiempo y con más frecuencia.
- Para permitir que el sistema de enfriado funcione con más eficacia, compruebe que las placas laterales y trasera del producto estén separadas de las paredes. Se recomienda encarecidamente dejar una separación de 75 mm (3 pulgadas) respecto a la pared, un espacio de al menos 100 mm (4 pulgadas) respecto a los lados y una separación superior no menor de 100 mm (4 pulgadas).
- No abra la puerta con demasiada frecuencia ni la deje abierta más tiempo del necesario mientras el aparato esté funcionando.
- No ajuste una temperatura más fría de lo necesario.
- Se debe descongelar el refrigerador (con congelador) cuando sea necesario. Esto mejorará la transferencia del frío y reducirá el consumo energético.
- El plano muestra la combinación adecuada de estantes que permite una mayor eficacia energética. Si el usuario modifica esta combinación, podría resultar en un mayor consumo energético.
- Almacene los alimentos de forma lógica. No supere el periodo de almacenamiento especificado.
- Almacene los alimentos de forma lógica. No supere el periodo de almacenamiento especificado.

## Solución de problemas

### Corrección del mal funcionamiento

El mal funcionamiento podría estar provocado por fallos menores que puede rectificar usted mismo siguiendo estas instrucciones. No realice otros trabajos en el aparato si la información siguiente no soluciona su problema específico.

Mantenga el aparato en posición vertical al menos 2 horas antes de usarlo para prevenir daños en el compresor.

### ¡IMPORTANTE!

Las reparaciones de refrigeradores/congeladores solo deben llevarlas a cabo técnicos de servicio cualificados. Una reparación inadecuada podría producir riesgos importantes para el usuario. Si fuera necesario reparar el aparato, póngase en contacto con su distribuidor especialista o con el Centro de Servicio local.

Problema	Posible causa	Posible solución
El aparato no funciona.	El aparato no está encendido.	Encienda el aparato.
	El enchufe eléctrico no está enchufado o está suelto.	Inserte el enchufe eléctrico.
	El fusible se ha fundido o es defectuoso.	Compruebe el fusible, sustitúyalo si fuera necesario.
	La toma es defectuosa.	Los defectos eléctricos debe corregirlos un electricista.
El aparato enfría demasiado.	La temperatura está ajustada demasiado fría.	Ajuste temporalmente el regulador de temperatura en un ajuste más cálido.
Los alimentos están demasiado calientes.	La temperatura no está configurada correctamente.	Consulte la sección "Control de temperatura".
	La puerta estuvo abierta por largos periodos.	Abra la puerta sólo lo necesario.
	Se ha colocado una gran cantidad de alimentos calientes en el aparato en las últimas 24 horas.	Ajuste temporalmente el regulador de temperatura en un ajuste más frío.
	El aparato está cerca de una fuente de calor.	Consulte la sección "Instalación".
Mucha acumulación de escarcha, posiblemente también en el burlete de la puerta.	El sello de la puerta no es hermético (posiblemente después de invertir la puerta).	Caliente cuidadosamente las secciones con fugas del sello de la puerta con un secador (en ajuste frío). Simultáneamente, dé forma con la mano al sello de puerta calentado para que se ajuste correctamente.
Ruidos anormales	El aparato no está nivelado.	Reajuste las patas.
	El aparato toca la pared u otros objetos.	Mueva ligeramente el aparato.
	Un componente, p. ej. una tubería, de la parte trasera del aparato toca otra pieza del aparato o la pared.	Si fuera necesario, doble con cuidado el componente para apartarlo cuidadosamente.
El compresor no arranca inmediatamente después de cambiar el ajuste de temperatura.	Esto es normal, no ha ocurrido ningún error.	El compresor se encenderá al cabo de un rato.
Hay agua en el suelo o en los estantes.	Compruebe que la bandeja para gotas esté introducida correctamente. La bandeja para gotas está llena de agua.	Consulte la sección "Limpieza y mantenimiento".

## Eliminación del aparato

Está prohibido eliminar este aparato con los residuos domésticos.



### Material de embalaje

Los materiales de embalaje con el símbolo de reciclaje son reciclables. Arroje el embalaje a un contenedor de recogida de residuos adecuado para reciclarlo.

Antes de eliminar el aparato:

1. Retire el enchufe eléctrico de la toma eléctrica.
2. Corte el cable eléctrico y elimínelo con el enchufe.

**¡Advertencia!** Los refrigeradores contienen refrigerante y gases en el aislamiento. El refrigerador y los gases tienen que ser desechados de manera profesional ya que pueden causar lesiones a los ojos o la ignición. Asegúrese de que la tubería del circuito de refrigerante no esté dañada antes de su desecho adecuado.

	<b>Eliminación correcta del producto</b>
 	Esta marca indica que no se debe eliminar el producto con otros residuos domésticos en la UE. En su lugar, se debe llevar al punto de recogida de residuos adecuados para reciclar el equipo eléctrico y electrónico. Al asegurarse de que este producto se elimina correctamente, ayudará a prevenir las consecuencias negativas potenciales para el entorno y la salud humana, que de lo contrario podrían ser causadas por la manipulación inadecuada de los residuos de este producto. Para más información detallada acerca del reciclaje de este producto, póngase en contacto con el servicio de eliminación de residuos domésticos de su ayuntamiento o con la tienda donde compró el producto.