

Hisense

life reimagined

EN ES

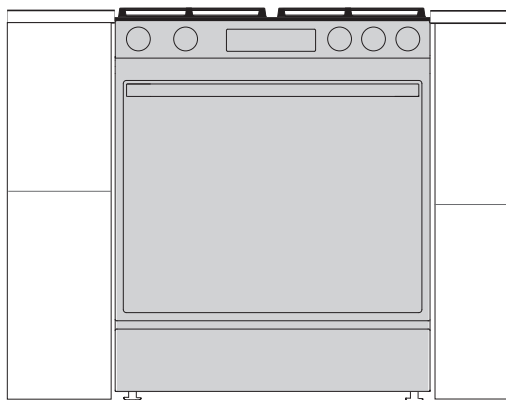
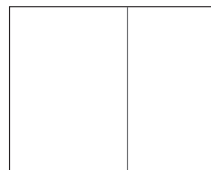
**INSTRUCTIONS FOR
INSTALLATION**

GAS RANGE

**INSTRUCCIONES DE
INSTALACIÓN**

ESTUFA DE PISO A GAS

HFG3601CPS, HFG3601CPSI



Contents

Before you begin	3
In the commonwealth of Massachusetts	3
Fire or explosion hazard	3
For your safety	4
Tip-Over hazard	4
Anti-Tip Bracket	4
Tools and materials	4
Steps for installation	5
Remove packaging materials	5
Prepare the opening	5
Electrical connection	7
Gas supply	8
Surface burners	8
Check surface burners	9
Check bake and broil burners	9
Anti-tip device installation	10
Level the range	11
Final installation check list	12

Before you begin

Read these instructions completely and carefully.

IMPORTANT - Save these instructions for the local inspector's use.

IMPORTANT - Observe all governing codes and ordinances.

IMPORTANT - Remove all packaging material and literature from the oven before connecting the gas and electrical supply to the range.

IMPORTANT - To avoid damage to your cabinets, check with your builder or cabinet supplier to make sure that the materials used will not discolor, delaminate or sustain other damage. This oven has been designed in accordance with the requirements of UL and OSA International and complies with temperatures of 194°F (90°C).

Important to the Installer - Be sure to leave these instructions with the consumer.

Important to the customer - Keep these instructions for reference.

Proper installation is the responsibility of the installer.

In the commonwealth of Massachusetts

Appliance must be installed by a qualified plumber or gas fitter. The shut-off valve must be with a T-handle type.

Fire or explosion hazard

 **WARNING!**

If the information in this manual is not followed exactly, a fire or explosion may result causing property damage, personal injury or death. Installation must be performed by a qualified installer. Installation of this range must conform with local codes, or in the absence of local codes, with the National Fuel Gas Code, ANSI Z223.1/ NFPA.54, latest edition. In Canada, installation must conform with the current Natural Gas Installation Code, CAN/CGA-B149.1 or the current Propane Installation Code, CAN/CGA-B149.2, and with local codes where applicable. This range has been design-certified by UL International according to ANSI Z21.1, latest edition and Canadian Gas Association according to CAN/CGA-1.1. latest edition. When installing a gas appliance the use of old flexible connectors can cause gas leaks and personal injury. Always use a NEW flexible connector! Leak testing of the appliance shall be conducted according to the manufacturer instructions. The range must be electrically grounded in accordance with local codes or, in the absence of local codes, in accordance with the National Electrical Code (ANSI/NFPA 70, latest edition). In Canada, electrical grounding must be in accordance with the current CSA C22.1 Canadian Electrical Code Part 1 and/or local codes. See Electrical Connections in this section. Do not install this product with an air curtain hood or other range hood that operates by blowing air down on the cooktop. This airflow may interfere with operation of the gas burners resulting in fire or explosion hazard.

For your safety

Tip-Over hazard

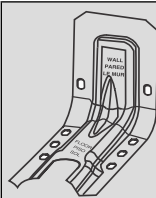
 **WARNING!**



- A. A child or adult can tip the range and be killed.
- B. Verify the anti-tip device has been properly installed and engaged (See below).
- C. Ensure the anti-tip device is re-engaged when the range is moved (See below).
- D. Do not operate the range without the anti-tip device in place and engaged.

Anti-Tip Bracket






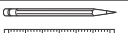
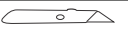
 **WARNING!**



- To reduce the risk of tipping the range, the range must be secured by a properly installed anti-tip bracket.
- See installation instructions shipped with the bracket for complete details before attempting to install.

Tools and materials

Tools you may need

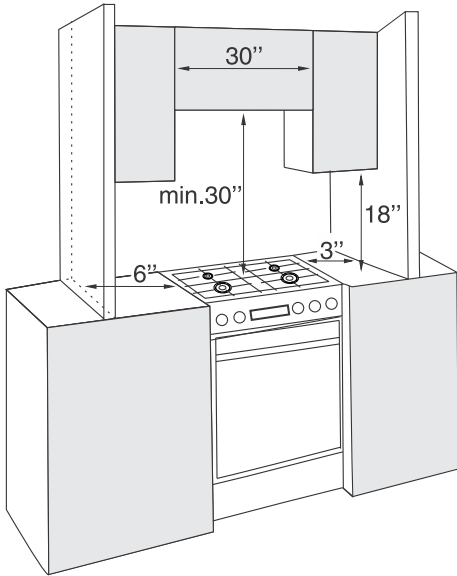
Flat-blade and Phillips screwdriver	Drill, awl or nail	Open-end wrench	Pipe wrench (2)	Level	Pencil and ruler	Utility knife
						

Materials you may need

Gas line shut-off valve. Pipe joint sealant or UL-approved pipe thread tape with Teflon* that resists action of natural and propane gases, Flexible metal appliance connector (1/2" I.D.). A 5-foot length is recommended for ease of installation but other lengths are acceptable. Never use an old connector when installing a new range. Flare union adapter for connection to gas supply line (3/4" or 1/2" NPT x 1/2" I.D.). Flare union adapter for connection to pressure regulator on range (1/2" NPT x 1/2" I.D.). Liquid leak detector or soapy water. *Teflon: Registered trademark of DuPont.

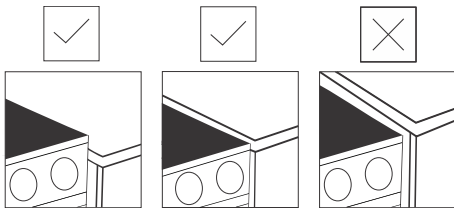
See illustrations for all rough-in and spacing dimensions. The appliance may be placed with 0" clearance (flush) at the back walls and side walls of the cabinets.

Minimum dimensions between cooktop, walls and above the cooktop



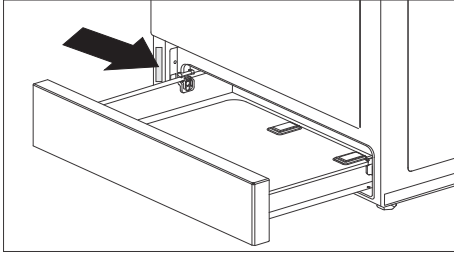
- Provide adequate clearances between the range and adjacent combustible surfaces. These dimensions must be met for the safe use of your appliance.
- Make sure the wall covering, countertop, flooring and cabinets around the range can withstand the heat (up to 200°F (90°C)) generated by the range.
- Allow 30" minimum clearance between surface units and bottom of an unprotected wood or metal cabinet, or allow a 24" minimum when the bottom of wood or metal cabinets is protected by no less than 1/4" thick flame retardant millboard covered with not less than No 28MSG sheet metal, (0,015") thick stainless steel, 0,024" aluminium or 0,020" copper.
- This appliance has been approved for a 3" right and 6" left minimum spacing to first vertical barrier.
- Install with zero clearance on sides and back.

Cabinet storage space above the cooktop should be avoided to reduce the risk of burns or fire when reaching over hot surface elements. If cabinet storage space is to be provided above the cooktop, the risk can be reduced by installing an appliance hood that projects at least 5" beyond the front of the cabinets. Cabinets installed above the cooktop must be no deeper than 16".



NOTE! The cooktop must be at or above the counter.

Rating plate



The rating plate indicating the basic information about the appliance is located on the oven frame and it is visible when the oven door is opened.

Electrical connection

WARNING!

This appliance must be properly earth grounded. Malfunction or breakdown grounding can result electric shock.
Do not remove the ground prong.
Do not use and adapter or an extension cord.
Do not modify the power plug, power cord, or power outlet in any way.

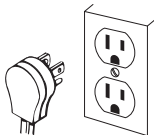
Electrical Requirements - 120-volt, 60 Hertz, properly grounded dedicated circuit protected by a 15-amp or 20-amp circuit breaker or time delay fuse.

Use of automatic, wireless, or wired external switches that shut off power to the appliance are not recommended for this product.

Grounding

The power cord of this appliance is equipped with a three-prong (grounding) plug which plugs into a standard three-prong grounding wall receptacle to minimize the possibility of electric shock hazard from this appliance. The wall receptacle must be clean and circuit checked by a qualified electrician to make sure the receptacle is properly grounded. Where a standard two-prong wall receptacle is encountered, it is the personal responsibility and obligation of the customer to have it replaced with a properly grounded three-prong wall receptacle.

Installation must be electrically grounded in accordance with local codes. Barring local codes, it should meet the latest NSI/NFPA 70 - Latest revision or the Canadian Electric CODE CSA C22.1- Latest Revision.



DO NOT, UNDER ANY CIRCUMSTANCES, CUT OR REMOVE THE THIRD (GROUND) PRONG FROM THE POWER CORD. DO NOT USE AN ADAPTER. DO NOT USE AN EXTENSION CORD.

Gas supply

WARNING!

Fire Hazard: Do not use a flame to check for gas-tightness.

WARNING!

Explosion Hazard: Do not use excessive torque when making gas line connections. Excessive torque can damage gas pressure regulator and other gas line components.

Gas pressure Regulator

Appliance is supplied with gas pressure regulator which is pre-set to operate with natural gas at 4'' of W.C. and can be converted to 10'' of W.C. for liquid propane gas.

Inlet gas pressure must be between below range for proper operation of the appliance:

Natural gas:

From 6'' of W.C. to 13'' of W.C.

Liquid propane gas:

From 11'' of W.C. to 13'' of W.C.

Before removing your old appliance make sure the main shut-off valve is closed and appliance free of gas.

It is recommended to use certified flexible metal connection unless hard-piped connection is required.

Main shut-off valve must be installed in such a place that it is accessible outside of the appliance.

Gas pressure regulator is located on lower back side of the appliance, the inlet internal thread is ½'' NPT.

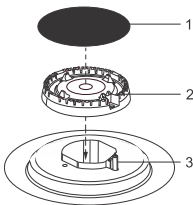
After installation make sure with test that all connections are gas-tight.

Installer: Inform the consumer of the location of the gas shut-off valve.

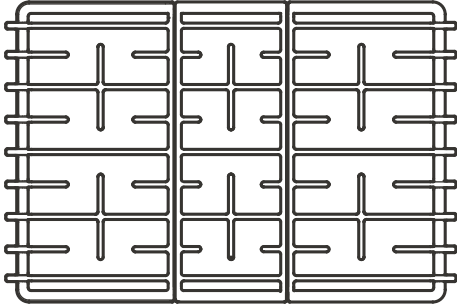
Surface burners

WARNING!

Fire or Explosion Hazard: Do not operate the burner without all burner parts in place.



1. **Burner caps** - Place burner caps on proper size burner.
2. **Burner heads** - Place burner heads into corresponding position on cooktop.
3. **Orifice holders**



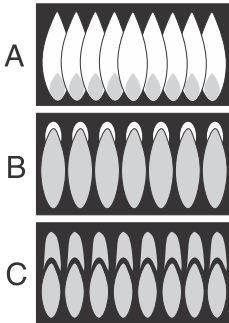
1. Left Grate
2. Right Grate
3. Center Grate of Griddle

Check surface burners

Yellow flames - call for service

Yellow tips on outer cones - Normal for propane gas

Push and turn knob to IGNITE position. You will hear a **clicking** sound indicating proper operation of the spark module. Once the air has been purged from the supply lines, burners should light within 4 seconds. After burner lights, rotate knob out of the IGNITE position. Try each burner in succession until all burners have been checked.



Quality of Flames

The flame quality of the burners to be determined visually. If burner flames look like (A), call for service. Normal burner flames should look like (B) or (C), depending on the type of gas you use. With propane gas, some yellow tipping on outer cones is normal.

Check bake and broil burners

Set Bake function to 350°F. Burner should light approx. 30 seconds. Check broil burner using the same method as the bake burner.

Anti-tip device installation

Tip Over Hazard



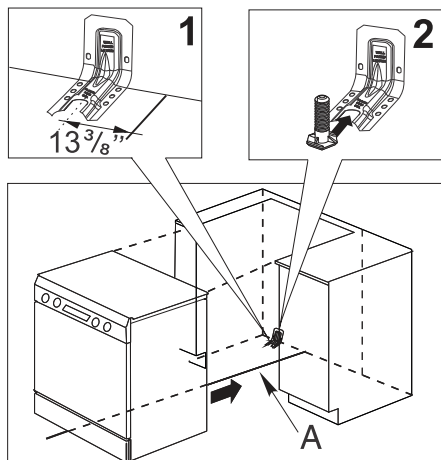
WARNING!

- Child or adult can tip the range and be killed.
- Install the anti-tip bracket to the wall or floor.
- Engage the range to the anti-tip bracket by sliding the range back such that the foot is engaged.
- Re-engage the anti-tip device if the range is moved.
- See installation instructions for details.
- Failure to do so can result in death or serious burns to children or adults.
- Check to make sure that the rear leveling leg is fully inserted into the Anti-Tip bracket.

Anti-Tip Bracket

Install Anti-Tip Bracket (Anti-Tip Bracket Kit Included)

- Determine which mounting method to use: floor or wall. If you have a stone or masonry floor, you can use the wall mounting method. If you are installing the range in a mobile home, you must secure the range to the floor.
- This anti-tip bracket and screws can be used with wood or metal studs.



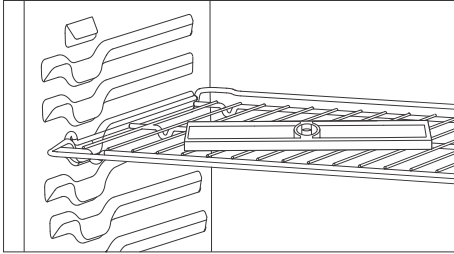
- Determine and mark the centerline of the cutout space (1). The mounting bracket can be installed on either the left-hand or right-hand side of the cutout. Position the mounting bracket against the wall in the cutout so that the center of the cutout of the bracket is 13 3/8" (34 cm) from the centerline (A).
- Drill two 5/32" (4 mm) holes that correspond to the bracket holes of the determined mounting method.
- Using the two 3/16 x 2" (4,8 x 50 mm) Phillips-head screws provided, mount the anti-tip bracket to the wall or floor.

- Move range close enough to opening to allow for final electrical connections.
- Remove shipping base, cardboard or hardboard from under range.
- Move range into its final location, making sure the rear leveling leg slides into the anti-tip bracket (2).

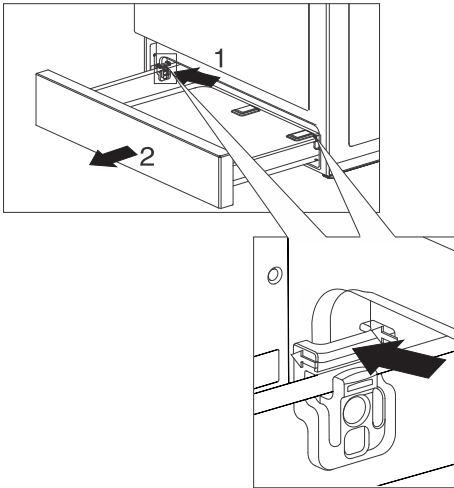
Level the range

WARNING!

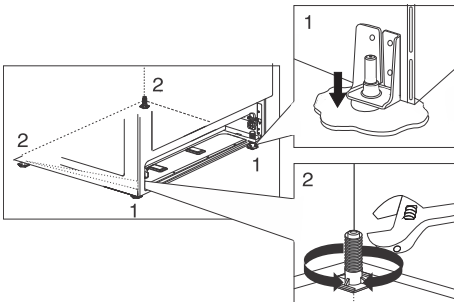
Never completely remove the leveling leg as the range will not be secured to the anti-tip device properly.



- Install the oven racks in the oven and position the range where they will be installed.
- Check for levelness by placing a spirit level on one of the oven racks. Take two readings, with the level placed diagonally first in one direction and then the other.



- First, remove the drawer.



- Level the range by adjusting the leveling legs with a wrench.
- The front leveling legs can be adjusted from the top or the bottom leg (1).
- The rear legs can be adjusted from the top of the leg (2) through the drawer opening.

Final installation check list

- Check to make sure the circuit breaker is closed or the circuit fuses are replaced.
- Be sure power is in service to the building.
- Check that all packaging materials and tape have been removed. This will include tape on the metal panel under control knobs (if applicable), adhesive tape, wire ties, cardboard and protective plastic. Failure to remove these materials could result in damage to the appliance once the appliance has been turned on and surfaces have heated.
- Check that the door and drawer are parallel to each other and that both operate smoothly. If they do not, see the User Manuals for proper replacement.
- Check to make sure that the rear leveling leg is fully inserted into the Anti-Tip bracket.

Operation checklist

- Make sure the combustion and ventilation airflow to the range is unobstructed.
- Be sure all range controls are in the OFF position before leaving the range.

Tabla de contenidos

Antes de comenzar	14
En el Estado de Massachusetts	14
Peligro de explosión o incendio	14
Para su seguridad	15
Riesgo de vuelco	15
Soporte antivuelco	15
Herramientas y materiales	15
Pasos para la instalación	17
Retire los materiales de embalaje	17
Preparar la abertura	17
Conexión eléctrica	19
Suministro de gas	19
Quemadores de superficie	20
Comprobar quemadores de superficie	21
Revise los quemadores para hornear y asar.	21
Instalación del dispositivo antivuelco	22
Nivelar la estufa	23
Lista de verificación final de la instalación	24

Antes de comenzar

Lea estas instrucciones completa y cuidadosamente.

IMPORTANTE: - Guarde estas instrucciones para la consulta de su inspector local.

IMPORTANTE - Respete los códigos y ordenanzas vigentes.

IMPORTANTE: - Antes de conectar la estufa al suministro de luz y gas, retire todo el material de embalaje y los manuales que se encuentran dentro del horno.

IMPORTANTE: - Para evitar dañar sus gabinetes, consulte con su constructor o con el proveedor de los gabinetes para asegurarse de que los materiales utilizados no se decoloren, se deslaminen o sufran otros daños. Este horno ha sido diseñado de acuerdo con los requisitos de UL y OSA International y cumple con temperaturas de 194 °F (90 °C).

Información importante para el instalador:- Asegúrese de dejarle estas instrucciones al usuario.

Información importante para el cliente - Guarde estas instrucciones para futuras consultas.

La instalación adecuada es responsabilidad del instalador.

En el Estado de Massachusetts

Este producto debe ser instalado por un plomero o instalador de gas con licencia. Cuando utilice válvulas de cierre de gas de tipo bola deberán ser del tipo mango en T.

Peligro de explosión o incendio

 **ADVERTENCIA!**

Si no se sigue exactamente la información de este manual, puede producirse un incendio o una explosión que cause daños a la propiedad, lesiones o muerte. Un instalador calificado debe realizar la instalación. La instalación de esta estufa debe cumplir con los códigos locales, o en ausencia de códigos locales, con el Código Nacional de Gas Combustible, ANSI Z223.1 / NFPA.54, última edición. En Canadá, la instalación debe cumplir con el Código de Instalación de Gas Natural vigente, CAN/CGA-B149.1 o el Código de Instalación de Gas Propano actual, CAN/CGA-B149.2, y con los códigos locales donde corresponda. El diseño de esta estufa ha sido certificado por CSA International según ANSI Z21.1, última edición y la Asociación Canadiense del Gas según CAN/CGA-1.1, última edición. Al instalar un aparato de gas, el uso de conectores flexibles viejos puede provocar fugas de gas y lesiones. ¡Utilice siempre un conector flexible NUEVO! La prueba de fugas del aparato se debe realizar de acuerdo con las instrucciones del fabricante. La estufa debe estar eléctricamente conectada a tierra de acuerdo con los códigos locales o, en ausencia de los códigos locales, de acuerdo con el Código Eléctrico Nacional (ANSI/NFPA 70, última edición). En Canadá, la conexión eléctrica a tierra debe cumplir con la parte 1 del Código Eléctrico Canadiense CSA C22.1 vigente y/o los códigos locales. Consulte Conexiones eléctricas en esta sección. No instale este producto con una campana de cortina de aire u otra campana extractora que funcione soplando aire sobre la placa de cocción. Este flujo de aire puede interferir con el funcionamiento de los quemadores de gas y provocar un incendio o peligro de explosión.

Para su seguridad

Riesgo de vuelco

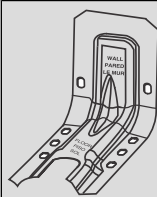
 **ADVERTENCIA!**



- A. Tanto un niño como un adulto podrían volcar la estufa, con riesgo de muerte.
- B. Verifique que el dispositivo antivuelco haya sido correctamente instalado y acoplado (Ver más abajo).
- C. Asegúrese de volver a acoplar el dispositivo antivuelco cuando mueva la estufa de lugar (Ver más abajo).
- D. No opere la estufa si el dispositivo antivuelco no está colocado y enganchado.

Soporte antivuelco






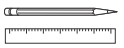

 **ADVERTENCIA!**



- Para reducir el riesgo de vuelcos, debe asegurar la estufa con un soporte antivuelco correctamente instalado.
- Consulte las instrucciones de instalación proporcionadas para tener toda la información necesaria antes de comenzar la instalación.

Herramientas y materiales

Herramientas necesarias

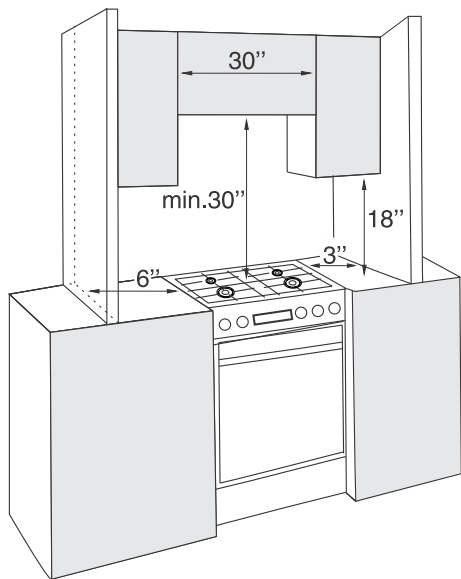
Destornillador de punta plana y Phillips	Taladro, punzón o clavo	Llave española	Llave de tubo (2)	Nivelador	Lápiz y regla	Cuchilla de uso general
						

Materiales necesarios

Válvula de corte de gas. Sellador de juntas de tuberías o cinta para roscas de tuberías aprobada por UL con teflón* que resiste la acción del gas natural y propano. Conector de metal flexible para electrodomésticos (1/2" D.I.). Se recomienda una longitud de 5 pies para facilitar la instalación, pero son aceptables otras longitudes. Nunca use un conector viejo al instalar una estufa nueva. Adaptador de unión abocinada para conexión a la línea de suministro de gas (3/4" o 1/2" NPT x 1/2" D.I.). Adaptador de unión abocinada para conexión al regulador de presión en la estufa (1/2" NPT x 1/2" D.I.). Detector de fugas de líquido o agua con jabón. *Teflón: marca registrada de DuPont.

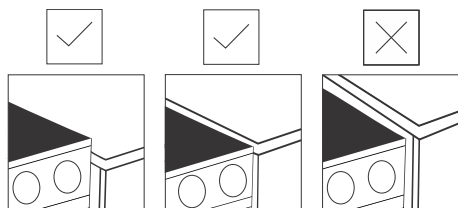
Consulte las ilustraciones para ver las dimensiones del aparato y de espaciado. El aparato puede instalarse sin necesidad de que haya espacio libre (al ras) con la pared trasera ni los gabinetes laterales.

Dimensiones mínimas entre la placa de cocción, las paredes y el espacio sobre la placa de cocción



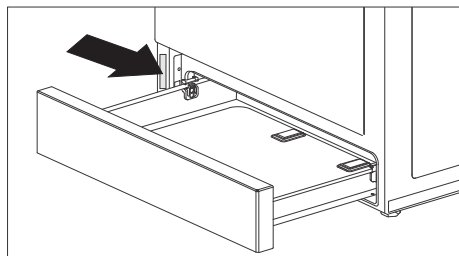
- Deje una distancia adecuada entre la estufa y las superficies combustibles adyacentes. Se deben respetar estas dimensiones para poder hacer un uso seguro de su aparato.
- Asegúrese de que el revestimiento de la pared, la encimera, el piso y los gabinetes alrededor de la estufa puedan soportar el calor [de hasta 200 °F (90 °C)] generado por la estufa.
- Deje un espacio libre mínimo de 30" entre las unidades de la superficie y la parte inferior de un gabinete de madera o metal que no tenga protección; o deje un mínimo de 24" en caso de que la parte inferior del gabinete de madera o metal esté protegida por una placa ignífuga de no menos de 1/4" de espesor cubierta por una placa de acero inoxidable no menor a N.º 28 MSG de 0,015" de espesor; de aluminio de 0,024" o de cobre de 0,020".
- Este aparato ha sido aprobado para un espacio mínimo de 3" a la derecha y 6" a la izquierda hasta la primera barrera vertical.
- Instale sin espacio libre en los lados y en la parte posterior.

Para reducir el riesgo de quemaduras o incendios al intentar alcanzar objetos, se debe evitar almacenar cosas en el gabinete que se encuentre sobre la placa de cocción. Si desea contar con un espacio de almacenamiento en un gabinete sobre la placa de cocción, el riesgo puede reducirse instalando una campana extractora que sobresalga al menos 5" de la parte delantera de los gabinetes. La profundidad de los gabinetes instalados sobre la placa de cocción no debe ser mayor a 16".



¡ADVERTENCIA! La placa de cocción debe estar a la misma altura que el mesón (mesada o tope) o superior.

Placa de características



La placa de características con los datos básicos del aparato está fija en el borde del horno. Puede verla al abrir la puerta del horno.

Conexión eléctrica

ADVERTENCIA!

Este aparato debe estar conectado apropiadamente a una toma de tierra. El no hacerlo puede resultar en una descarga eléctrica.

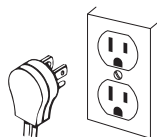
Requisitos eléctricos - Circuito dedicado de 120 voltios, 60 Hz, correctamente conectado a tierra, protegido por un disyuntor de 15 o 20 amperios o un fusible de retardo de tiempo.

NOTA: no se recomienda para este producto el uso de interruptores externos automáticos, inalámbricos o con cable que apaguen el aparato.

Conexión a tierra

El cable de alimentación de este aparato está equipado con un enchufe de tres clavijas (con conexión a tierra) que se conecta a un receptáculo de pared estándar con conexión a tierra de tres clavijas para minimizar la posibilidad de riesgo de descarga eléctrica de este aparato. El cliente debe hacer que un electricista calificado limpie el receptáculo de la pared y que revise el circuito para asegurarse de que el receptáculo esté debidamente conectado a tierra.

Donde haya un receptáculo de pared estándar de dos clavijas, es responsabilidad y obligación personal del cliente reemplazarlo por un receptáculo de pared de tres patas debidamente conectado a tierra.



EN NINGÚN CASO, CORTE O quite LA TERCERA CLAVIJA (DE TIERRA) DEL CABLE DE ALIMENTACIÓN. NO USE UN ADAPTADOR. NO UTILICE UN CABLE ALARGADOR.

Suministro de gas

ADVERTENCIA!

Riesgo de incendio: no utilice una llama para comprobar si hay fugas de gas.

⚠ ADVERTENCIA!

Peligro de explosión: no exceda los 25 pies-libras de torque al hacer las conexiones de la línea de gas. Si lo aprieta demasiado, el regulador de presión puede agrietarse y provocar un incendio o una explosión.

Regulador de presión del gas

Debe utilizar el regulador de presión de gas suministrado con esta estufa.

Para un funcionamiento adecuado, la presión de entrada al regulador debe ser la siguiente:

Gas natural:

Presión mínima: 6" de columna de agua

Presión máxima: 13" de columna de agua

Gas propano:

Presión mínima: 11" de columna de agua Presión máxima: 13" de columna de agua

Si no está seguro de la presión de entrada, comuníquese con el proveedor de gas local.

Conecte el conector de electrodomésticos de metal flexible al adaptador de la estufa. Rango de posición para permitir la conexión en la válvula de cierre.

Instale una válvula de cierre manual en la línea de gas en un lugar de fácil acceso fuera de la estufa.

Instale el adaptador de unión abocinado macho de 1/2" en la rosca interna NPT de 1/2" a la entrada del regulador.

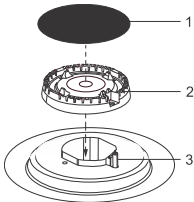
Después de la instalación, asegúrese de que todas las conexiones sean herméticas al gas.

Instalador: informe al consumidor de la ubicación de la válvula de cierre de gas.

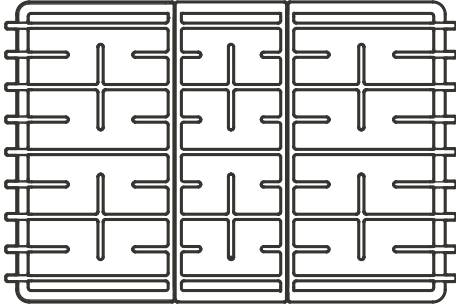
Quemadores de superficie

⚠ ADVERTENCIA!

Peligro de incendio o explosión: no opere el quemador si las partes del quemador no están en su lugar.



1. **Tapas de los quemadores:** - Coloque las tapas de los quemadores en el quemador del tamaño adecuado.
2. **Cabezales de los quemadores:** - Coloque los cabezales de los quemadores en la posición correspondiente en la estufa.
3. **Porta orificios**



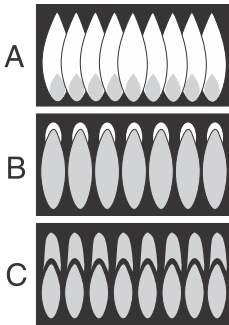
1. Rejilla izquierda
2. Rejilla derecha
3. Rejilla central de la plancha

Comprobar quemadores de superficie

Llamas amarillas - Llame al servicio

Puntas amarillas en los conos exteriores - Normal para gas propano

Empuje y gire la perilla a la posición de ENCENDIDO. Escuchará un **clik** que indica el funcionamiento correcto del módulo de chispa. Una vez que se haya purgado el aire de las líneas de suministro, los quemadores deben encenderse en 4 segundos. Después de que se encienda el quemador, gire la perilla fuera de la posición de ENCENDIDO. Pruebe cada quemador en sucesión hasta que todos los quemadores hayan sido revisados.



Calidad de las llamas

La calidad de la llama de los quemadores se determinará visualmente. Si las llamas del quemador se ven como (A), llame al servicio técnico. Las llamas normales del quemador deben verse como (B) o (C), según el tipo de gas que use. Con gas propano, algunas puntas amarillas en los conos exteriores son normales.

Revise los quemadores para hornear y asar.

Configure la función de horneado a 350 °F. El quemador debe encenderse aprox. 30 segundos. Verifique el quemador para asar usando el mismo método que el quemador para hornear.

Instalación del dispositivo antivuelco

Riesgo de vuelco

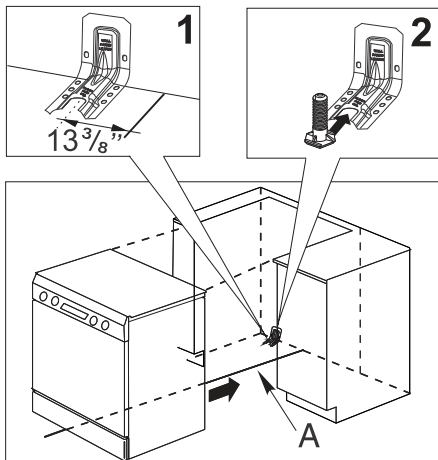
⚠ ADVERTENCIA!

- Tanto un niño como un adulto podrían volcar la estufa, con riesgo de muerte.
- Instale el soporte antivuelco en la pared o el piso.
- Enganche la estufa al soporte antivuelco deslizando hacia atrás de modo que la pata quede enganchada.
- Vuelva a enganchar el dispositivo antivuelco si mueve la estufa.
- Consulte las instrucciones de instalación para ver más detalles.
- No tomar estas medidas puede provocar la muerte o accidentes con quemaduras graves en niños o adultos.
- Asegúrese de que la pata niveladora trasera esté completamente insertada dentro del soporte antivuelco.

Soporte antivuelco

Instale el soporte antivuelco (Kit del soporte antivuelco incluido)

- Determine qué método de montaje utilizará: suelo o pared. Si tiene un piso de piedra o mampostería, puede utilizar el método de montaje en la pared. Si está instalando la estufa en una casa móvil, debe asegurarla al piso.
- Este soporte y los tornillos antivuelco se pueden utilizar con tapones de madera o metal.



- Determine y marque la línea central del espacio de corte (1). El soporte de montaje se puede instalar tanto en el lado izquierdo como en el lado derecho del área cortada. Coloque el soporte de montaje contra la pared en el área cortada, de modo que el centro del recorte del soporte quede a $13 \frac{3}{8}$ " (34 cm) de la línea central (A).
- Perfore dos orificios de $\frac{5}{32}$ " (4 mm) que correspondan a los orificios del soporte para el método de montaje determinado.
- Usando los dos tornillos provistos tipo Phillips de $\frac{3}{16} \times 2$ " (4,8 x 50 mm), monte el soporte antivuelco hacia la pared o el piso.

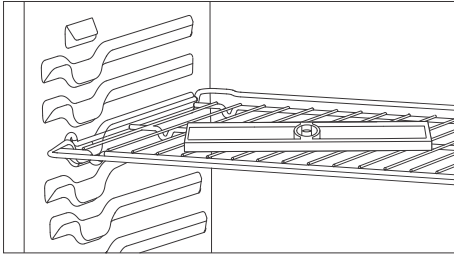
- Mueva la estufa lo suficientemente cerca de la abertura para permitir las conexiones eléctricas finales.
- Retire la base, el cartón o los tableros rígidos del embalaje que se encuentran debajo de la estufa.
- Mueva la estufa a su ubicación final, asegurándose de que la pata niveladora trasera se deslice hacia adentro del soporte antivuelco (2).

Nivelar la estufa

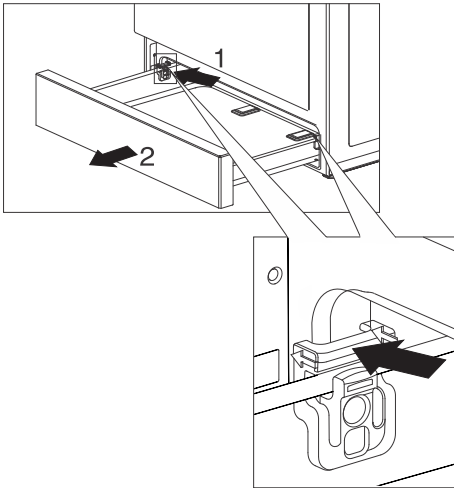


ADVERTENCIA!

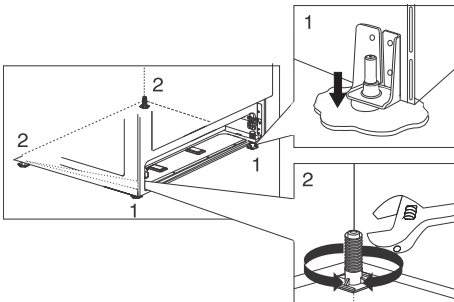
Nunca retire completamente la pata niveladora ya que la estufa no se asegurará correctamente al dispositivo antivuelco.



- Coloque los estantes (rejillas) en el horno y ubique la estufa en el lugar donde desee instalarla.
- Compruebe que esté nivelada colocando un nivelador de burbuja en uno de los estantes del horno. Tome dos lecturas; con el nivel colocado en diagonal primero en una dirección y luego en la otra.



- Primero, retire la gaveta.



- Nivele la estufa ajustando las patas niveladoras con una llave.
- Las patas niveladoras delanteras se pueden ajustar desde la parte superior o inferior de la pata (1).
- Las patas traseras se pueden ajustar desde la parte superior de la pata (2) a través de la abertura de la gaveta.

Lista de verificación final de la instalación

- Verifique que el disyuntor esté cerrado o que los fusibles del circuito estén en su lugar.
- Asegúrese de que haya electricidad en el edificio.
- Compruebe que se hayan retirado todos los materiales y cintas de embalaje. Esto incluye la cinta en el panel de metal que se encuentra debajo las perillas de control (si corresponde), cinta adhesiva, ataduras de cables, cartón y plásticos protectores. Si no retira estos materiales, el aparato podría sufrir daños cuando se encienda y se calienten las superficies.
- Compruebe que la puerta y la gaveta están paralelas entre sí y que funcionan sin problemas. Si no es así, consulte los manuales de usuario para saber cómo colocarlas adecuadamente.
- Asegúrese de que la pata niveladora trasera esté completamente insertada dentro del soporte antivuelco.

Lista de verificación de funcionamiento

- Asegúrese de que el flujo de aire de combustión y ventilación de la estufa no esté obstruido.
- Asegúrese de que todos los controles del aparato estén en la posición de apagado (OFF) antes de alejarse de la estufa.

Hisense
life reimagined



854941-a3

