

The Hisense logo is displayed in a bold, black, sans-serif font. The background of the entire page features a large, stylized circular graphic composed of several overlapping, semi-transparent white and light gray rings that create a sense of depth and movement.

USE AND INSTALLATION MANUAL
INSTRUCCIONES DE INSTALACIÓN Y USO

Model/ Modelo: DH3524K1W

For questions about features, operation/ performance, parts or service,
call: 1-877-465-3566

Para consultas sobre las características, funcionamiento/ rendimiento,
piezas o servicio, llame al: 1-877-465-3566

Table of Contents

Safety Information	2	Pre-Installation	7
Important Safety Instruction.....	2	Package Contents	7
Operation	2	Electrical Requirements.....	7
Installation	3	Location Requirements.....	8
Storage And Disposing Of The Unit	3	Operation	9
Circuit Diagram	3	Care and Cleaning	11
Precautions For Using R32 Refrigerant	4	Troubleshooting	14

Safety Information

Your safety and the safety of others are very important. We have provided many important safety messages in this manual and on your appliance.

Please always read and obey all safety messages. To reduce the risk of fire, electrical shock or injury when using your appliance, please follow these basic precautions:

Important Safety Instruction

- Plug into a grounded 3-prong outlet.
- Do not remove ground prong.
- Do not use an electrical adapter or extension cord.
- Do not drink water collected in the water bucket.
- Unplug dehumidifier before servicing.
- If the supply cord is damaged, it must be replaced by the manufacturer, its service agent or similarly qualified persons in order to avoid a hazard.
- Keep packing materials out of the reach of children. Packaging materials can be dangerous for children. There is a risk of suffocation.
- Be careful not to pinch, crush, or damage the power cord when installing or moving the appliance.
- Do not use the appliance in standing water or allow the product to be directly splashed by water during use.
- Store and install the appliance where it will not be exposed to temperatures below freezing or exposed to outdoor weather conditions.
- Call an authorized service technician to repair or immediately replace all power cords that have become damaged. Do not use a cord that shows cracks or abrasion damage along its length or at either end.
- Do not use the product if the outlet is damaged or loose.
- In the event of a gas leak (propane gas, LP gas, etc.) do not operate this or any other appliance. Open a window or door to ventilate the area immediately.
- Do not disassemble, repair or modify the product.
- Do not store or use flammable gases or materials near the dehumidifier.

Operation

Read all instructions before using the appliance and save these instructions.

- Do not tamper with controls.
- Push the power plug all the way into the wall outlet so that it is not loose.
- Do not grasp the power cord or touch the appliance controls with wet hands.
- Do not modify or extend the power cord.
- If the product makes a strange noise or emits a smell or smoke, pull the power plug out and contact customer service.
- Avoid placing the dehumidifier or other heavy objects on top of the power cord.
- Do not use water to clean the dehumidifier.
- Keep the air inlet and outlet free from obstructions.
- Do not cover the power cord with a rug or carpeting. Placing heavy objects on top of the cord could damage it.
- Do not insert fingers, sticks etc. into the air inlet or outlet. The fan is running at high speeds and could cause personal injuries.
- Do not repair or replace any part of the appliance. All repairs and servicing must be performed by qualified servicing personnel unless specifically recommended in this owner's manual. Use only authorized factory parts. Connect to a properly rated, protected, and sized power circuit to avoid electrical overload.
- Do not use the product for preserving animals/plants, precision instruments, art works, etc.
- Do not place any objects on top of the dehumidifier.
- Turn off the dehumidifier and empty the water bucket before moving the dehumidifier.
- Pull out the power plug if you will not be using the product for an extended period.
- Do not use the product in a very small space such as a closet. Poor ventilation could result in overheating.





Safety Information (continued)

- Do not use wax, thinner or a strong detergent when cleaning. Wipe the product using a soft cloth.
- Do not use the product in direct sunlight or rain.
- Position the product on a firm, stable surface.
- Remove cable ties and extend power cord before use.
- Do not spray foreign substances or water on the product.

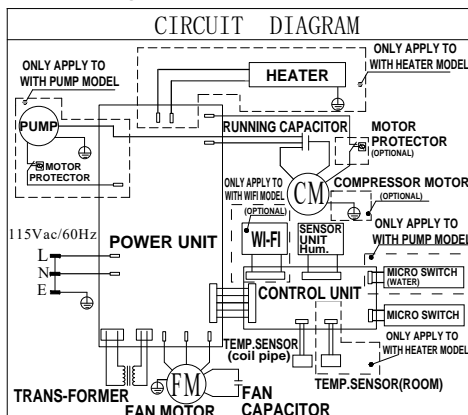
Installation

- Use this appliance only for its intended purpose. This product is not designed for preserving precision instruments, tableware or artworks.
- Never unplug the appliance by pulling on the power cord. Always grip the plug firmly and pull straight out from the outlet.
- Do not use the product in places where chemicals are used. Chemicals and solvents dissolved in the air could cause product deformation and leaking.
- Turn off the dehumidifier and pull out the power plug before cleaning. Wait for the fan to stop moving.
- Do not operate the dehumidifier without a filter. Using the product without a filter could result in a reduced product life span, electric shock or injury.
- This appliance is not intended for use by persons (including children) with reduced physical, sensory or mental capabilities, or lack of experience and knowledge, unless they have been given supervision or instruction concerning use of the appliance by person responsible for their safety.
- Young children should be supervised to ensure that they can not play with the appliance.
- The appliance shall be installed in accordance with national wiring regulations.

Explanation of symbols displayed on the unit.

	WARNING	This symbol shows that this appliance uses a flammable refrigerant. If the refrigerant is leaked and exposed to an external ignition source, there is a risk of fire.
	CAUTION	This symbol shows that the operation manual should be read carefully.
	CAUTION	This symbol shows that a service personnel should be handling this equipment with reference to the installation manual.
	CAUTION	This symbol shows that information is available such as the operating manual or installation manual.


Circuit Diagram





Storage And Disposing Of The Unit

- Dispose of this appliance in accordance with Federal and Local regulations. Refrigerants must be evacuated before disposal.
- Please recycle or dispose of the packaging material for product in an environmentally responsible manner.
- Never store or ship the appliance upside down or sideways to avoid damage to the compressor.

All safety messages will tell you what the potential hazard is and tell you how to reduce the chance of injury.

 **DANGER:** A hazard that if not avoided will result in death or serious injury.

 **WARNING:** A hazard that if not avoided could result in death or serious injury.

 **CAUTION:** A hazard that if not avoided may result in minor or moderate injury.

Safety Information (continued)

Precautions For Using R32 Refrigerant

The basic installation work procedures are the same as the conventional refrigerant (R22 or R410A). However, pay attention to the following :

1. Transport of equipment containing flammable refrigerants

- Comply with the transport regulations.

2. Marking of equipment using signs

- Comply with local regulations.

3. Disposal of equipment using flammable refrigerants

- Comply with national regulations.

4. Storage of equipment/appliances

- The storage of equipment should be in accordance with the manufacturer's instructions.

5. Storage of packed (unsold) equipment

- Storage package protection should be constructed such that mechanical damage to the equipment inside the package will not cause a leak of the refrigerant charge.
- The maximum number of pieces of equipment permitted to be stored together will be determined by local regulations.

6. Information on servicing

- **Checks to the area:** Prior to beginning work on systems containing flammable refrigerants, safety checks are necessary to ensure that the risk of ignition is minimised. For repair to the refrigerating system, the following precautions shall be complied with prior to conducting work on the system.

- **Work procedure:** Work shall be undertaken under a controlled procedure so as to minimise the risk of flammable gas or vapour being present while the work is being performed.

- **General work area:** All maintenance staff and others working in the local area shall be instructed on the nature of work being carried out. Work in confined spaces shall be avoided. The area around the workspace shall be sectioned off. Ensure that the conditions within the area have been made safe by controlling flammable material.

- **Checking for presence of refrigerant:** The area shall be checked with an appropriate refrigerant detector prior to and during work, to ensure the technician is aware of potentially flammable atmospheres. Ensure that the leak detection equipment being used is suitable for use with flammable refrigerants, i.e. non-sparking, adequately sealed or intrinsically safe.

- **Presence of fire extinguisher:** If any hot work is to be conducted on the refrigeration equipment or any associated parts, appropriate fire extinguishing equipment shall be available to hand. Have a dry powder or CO₂ fire extinguisher adjacent to the charging area.

- **No ignition sources:** No person carrying out work in relation to a refrigeration system which involves exposing any pipe work that contains or has contained flammable refrigerant shall use any sources of ignition in such a manner that it may lead to the risk of fire or explosion. All possible ignition sources, including cigarette smoking, should be kept sufficiently far away from the site of installation, repairing, removing and disposal, during which flammable refrigerant can possibly be released to the surrounding space. Prior to work taking place, the area around the equipment is to be surveyed to make sure that there are no flammable hazards or ignition risks. "No Smoking" signs shall be displayed.

- **Ventilated area:** Ensure that the area is in the open or that it is adequately ventilated before breaking into the system or conducting any hot work. A degree of ventilation shall continue during the period that the work is carried out. The ventilation should safely disperse any released refrigerant and preferably expel it externally into the atmosphere.

- **Checks to the refrigeration equipment:** Where electrical components are being changed, they shall be fit for the purpose and to the correct specification. At all times the manufacturer's maintenance and service guidelines shall be followed. If in doubt, consult the manufacturer's technical department for assistance.

The following checks shall be applied to installations using flammable refrigerants: The charge size is in accordance with the room size within which the refrigerant containing parts are installed; The ventilation machinery and outlets are operating adequately and are not obstructed; If an indirect refrigerating circuit is being used, the secondary circuit shall be checked for the presence of refrigerant; Marking to the equipment continues to be visible and legible. Markings and signs that are illegible shall be corrected; Refrigeration pipe or components are installed in a position where they are unlikely to be exposed to any substance which may corrode refrigerant containing components, unless the components are constructed of materials which are inherently resistant to being corroded or are suitably protected against being so corroded.

Checks to electrical devices: Repair and maintenance to electrical components shall include initial safety checks and component inspection procedures. If a fault exists that could compromise safety, then no electrical supply shall be connected to the circuit until it is satisfactorily dealt with. If the fault cannot be corrected immediately but it is necessary to continue operation, an adequate temporary solution shall be used.

This shall be reported to the owner of the equipment so all parties are advised. Initial safety checks shall include: That capacitors are discharged: this shall be done in a safe manner to avoid possibility of sparking; That there no live electrical components and wiring are exposed while charging, recovering or purging the system; That there is continuity of earth bonding.

7. Repairs to sealed components

- During repairs to sealed components, all electrical supplies shall be disconnected from the equipment being worked upon prior to any removal of sealed covers, etc.

- If it is absolutely necessary to have an electrical supply to equipment during servicing, then a permanently operating form of leak detection shall be located at the most critical point to warn of a potentially hazardous situation.

- Particular attention shall be paid to the following to ensure that by working on electrical components, the casing is not altered in such a way that the level of protection is affected.

- This shall include damage to cables, excessive number of connections, terminals not made to original specification, damage to seals, incorrect fitting of glands, etc.

- Ensure that apparatus is mounted securely.

- Ensure that seals or sealing materials have not degraded such that they no longer serve the purpose of preventing the ingress of flammable atmospheres.

Safety Information (continued)

- Replacement parts shall be in accordance with the manufacturer's specifications.



NOTE: The use of silicon sealant may inhibit the effectiveness of some types of leak detection equipment. Intrinsically safe components do not have to be isolated prior to working on them.

8. Repairs to intrinsically safe components

- Do not apply any permanent inductive or capacitance loads to the circuit without ensuring that this will not exceed the permissible voltage and current permitted for the equipment in use.
- Intrinsically safe components are the only types that can be worked on while live in the presence of a flammable atmosphere. The test apparatus shall be at the correct rating.
- Replace components only with parts specified by the manufacturer. Other parts may result in the ignition of refrigerant in the atmosphere from a leak.

9. Cabling

- Check that cabling will not be subject to wear, corrosion, excessive pressure, vibration, sharp edges or any other adverse environmental effects.
- The check shall also take into account the effects of aging or continual vibration from sources such as compressors or fans.

10. Detection of flammable refrigerants

- Under no circumstances shall potential sources of ignition be used in these arching for or detection of refrigerant leaks.
- A halide torch (or any other detector using a naked flame) shall not be used.

11. Leak detection methods

- The following leak detection methods are deemed acceptable for systems containing flammable refrigerants:
 - Electronic leak detectors shall be used to detect flammable refrigerants, but the sensitivity may not be adequate, or may need re-calibration. (Detection equipment shall be calibrated in a refrigerant-free area.)
 - Ensure that the detector is not a potential source of ignition and is suitable for the refrigerant used.
 - Leak detection equipment shall be set at a percentage of the LFL of the refrigerant and shall be calibrated to the refrigerant employed and the appropriate percentage of gas (25 % maximum) is confirmed.
 - Leak detection fluids are suitable for use with most refrigerants but the use of detergents containing chlorine shall be avoided as the chlorine may react with the refrigerant and corrode the copper pipe-work.
 - If a leak is suspected, all naked flames shall be removed/ extinguished.
 - If a leakage of refrigerant is found which requires brazing, all of the refrigerant shall be recovered from the system, or isolated (by means of shutoff valves) in a part of the system remote from the leak.
 - Oxygen free nitrogen (OFN) shall then be purged through the system both before and during the brazing process.

12. Removal and evacuation

- When breaking into the refrigerant circuit to make repairs - or for any other purpose - conventional procedures shall be used. However, for flammable refrigerants it is important that best

practice be followed, since flammability is a consideration. The following procedure shall be adhered to:

- safely remove refrigerant following local and national regulations;
 - purge the circuit with inert gas;
 - evacuate (optional for A2L);
 - purge with inert gas (optional for A2L);
 - open the circuit by cutting or brazing;
- The refrigerant charge shall be recovered into the correct recovery cylinders if venting is not allowed by local and national codes. For appliances containing flammable refrigerants, the system shall be purged with oxygen - free nitrogen to render the appliancesafe for flammable refrigerants. This process might need to be repeated several times. Compressed air or oxygen shall not be used for purging refrigerant systems.
 - For appliances containing flammable refrigerants, refrigerants purging shall be achieved by breaking the vacuum in the system with oxygen - free nitrogen and continuing to fill until the working pressure is achieved, then venting to atmosphere, and finally pulling down to a vacuum (optional for A2L). This process shall be repeated until no refrigerant is within the system (optional for A2L). When the final oxygen - free nitrogen charge is used, the system shall be vented down to atmospheric pressure to enable work to take place.
 - Ensure that the outlet for the vacuum pump is not close to any potential ignition sources and that ventilation is available.

13. Charging procedures

- In addition to conventional charging procedures, the following requirements shall be followed:
 - Ensure that contamination of different refrigerants does not occur when using charging equipment.
 - Hoses or lines shall be as short as possible to minimise the amount of refrigerant contained in them.
 - Cylinders shall be kept up right.
 - Ensure that the refrigeration system is earthed prior to charging the system with refrigerant.
 - Label the system when charging is complete (if not already).
 - Extreme care shall be taken not to overfill the refrigeration system.
- Prior to recharging the system it shall be pressure tested with OFN.
- The system shall be leak tested on completion of charging but prior to commissioning.
- A follow up leak test shall be carried out prior to leaving the site.

14. Decommissioning

- Before carrying out this procedure, it is essential that the technician is completely familiar with the equipment and all its detail.
- It is recommended good practice that all refrigerants are recovered safely.
- Prior to the task being carried out, an oil and refrigerant sample shall be taken in case analysis is required prior to re-use of reclaimed refrigerant. It is essential that electrical power is available before the task is commenced.
 - Become familiar with the equipment and its operation.
 - Isolate system electrically.
 - Before attempting the procedure ensure that:
 - Mechanical handling equipment is available, if required,

Safety Information (continued)

for handling refrigerant cylinders;

- All personal protective equipment is available and being used correctly;
 - The recovery process is supervised at all times by a competent person;
 - Recovery equipment and cylinders conform to the appropriate standards.
- d) Pump down refrigerant system, if possible.
- e) If a vacuum is not possible, make a manifold so that refrigerant can be removed from various parts of the system.
- f) Make sure that cylinder is situated on the scales before recovery takes place.
- g) Start the recovery machine and operate in accordance with manufacturer's instructions.
- h) Do not overfill cylinders. (No more than 80 % volume liquid charge).
- i) Do not exceed the maximum working pressure of the cylinder, even temporarily.
- j) When the cylinders have been filled correctly and the process completed, make sure that the cylinders and the equipment are removed from site promptly and all isolation valves on the equipment are closed off.
- k) Recovered refrigerant shall not be charged into another refrigeration system unless it has been cleaned and checked.

15. Labelling

- Equipment shall be labelled stating that it has been de-commissioned and emptied of refrigerant.
- The label shall be dated and signed.
Ensure that there are labels on the equipment stating the equipment contains flammable refrigerant.

16. Recovery

- When removing refrigerant from a system, either for servicing or decommissioning, it is recommended good practice that all refrigerants are removed safely.
- When transferring refrigerant into cylinders, ensure that only appropriate refrigerant recovery cylinders are employed.
- Ensure that the correct number of cylinders for holding the total system charge is available.
- All cylinders to be used are designated for the recovered refrigerant and labelled for that refrigerant (i.e. special cylinders for the recovery of refrigerant).
- Cylinders shall be complete with pressure relief valve and associated shut-off valves in good working order.
- Empty recovery cylinders are evacuated and, if possible, cooled before recovery occurs.
- The recovery equipment shall be in good working order with a set of instructions concerning the equipment that is at hand and shall be suitable for the recovery of flammable refrigerants.
- In addition, a set of calibrated weighing scales shall be available and in good working order.
- Hoses shall be complete with leak-free disconnect couplings and in good condition.
- Before using the recovery machine, check that it is in satisfactory working order, has been properly maintained and that any associated electrical components are sealed to prevent ignition in the event of a refrigerant release.

- Consult manufacturer if in doubt.
- Opening of the refrigeration systems shall not be done by brazing.
- The recovered refrigerant shall be returned to the refrigerant supplier in the correct recovery cylinder, and the relevant Waste Transfer Note arranged.
- Do not mix refrigerants in recovery units and especially not in cylinders.
- If compressors or compressor oils are to be removed, ensure that they have been evacuated to an acceptable level to make certain that flammable refrigerant does not remain within the lubricant.
- The evacuation process shall be carried out prior to returning the compressor to the suppliers.
- Only electric heating to the compressor body shall be employed to accelerate this process.
- When oil is drained from a system, it shall be carried out safely.



WARNING: Risk of Fire or Explosion. This unit contains flammable refrigerant.

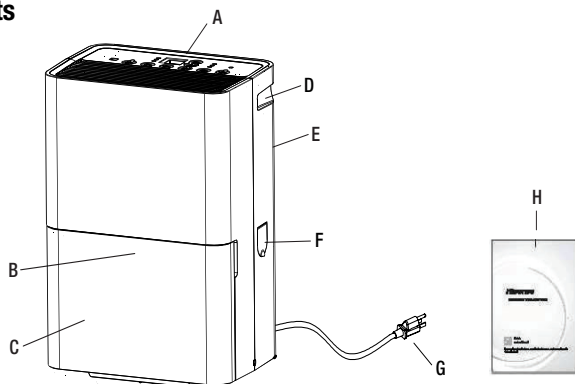
Additional safety precautions must be followed.

- Do not use means to accelerate the defrosting process or to clean, other than those recommended by the manufacturer.
- The appliance shall be stored in a room without continuously operating ignition sources (for example: open flames, an operating gas appliance or an operating electric heater).
- Do not pierce or burn refrigerant tubing. Be aware that refrigerants may not contain an odor.
- Compliance with national gas regulations shall be observed.
- Keep ventilation openings clear of obstruction.
- The maximum refrigerant charge amount is shown on nameplate on the air conditioner.
- When handling, installing, and operating the appliance, care should be taken to avoid damage to the refrigerant tubing.
- Do not drill holes in the unit.
- Maintenance, cleaning, and service should only be performed by technicians properly trained and qualified in the use of flammable refrigerants.
- Dispose of air conditioner in accordance with Federal and Local Regulations. Flammable refrigerants require special disposal procedures. Contact your local authorities for the environmentally safe disposal of your air conditioner.
- The appliance shall be stored so as to prevent mechanical damage from occurring.
- The appliance shall be stored in a well-ventilated area where the room size corresponds to the room area as specified for operation.
- This product contains small parts such as (batteries, battery cover and screws) that may cause suffocation if swallowed by children.



Pre-Installation

Package Contents



Part	Description
A	Control panel
B	Bucket handle
C	Bucket
D	handle
E	Filter
F	Hose cover
G	Power Plug
H	User manual

Electrical Requirements

Specific electrical requirements are listed in the chart below. Follow the requirements for the type of plug on the power supply cord.

WARNING:



- Plug into a grounded 3-prong outlet.
- Do not remove ground prong.
- Do not use an adapter.
- Do not use an extension cord.
- Failure to follow these instructions can result in death, fire, or electrical shock.

Recommended Grounding Method

This dehumidifier must be grounded. This dehumidifier is equipped with a power supply cord with a three-prong grounding plug. The cord must be plugged into a properly grounded three-prong outlet, grounded in accordance with all local codes and ordinances. If a properly grounded outlet is not available, it is the customer's responsibility to have a properly grounded three-prong outlet installed by a qualified electrician.

Pre-Installation (continued)

Customer's Responsibility

- To contact a qualified electrician.
- To assure that the electrical installation is adequate and conforms to the national electrical code. ANSI/NFPA 70-last edition, and all local codes and ordinances.

Copies of the standards listed may be obtained from:

National Fire Protection Association

1 Batterymarch Park

Quincy, MA 02169-7471

www.nfpa.org

Wiring Requirement

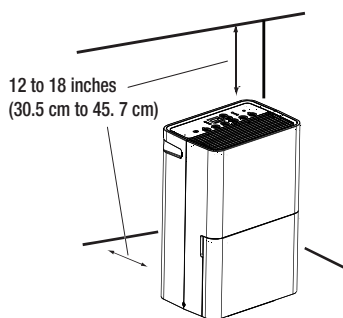
Power supply	Time-delay fuse (or circuit breaker)
115V 103.5V min. 126.5V max.	15A

Location Requirements



WARNING: To reduce the risk of injury to persons, malfunction, or damage to the product or property when using this appliance, follow basic safety precautions, including the following:

- Do not locate outdoors. This dehumidifier is intended for indoor, residential use only. This dehumidifier is not recommended for commercial use.
- Allow at least 12 to 18 inches (30.5 cm to 45.7 cm) of space on the rear and sides of the dehumidifier for models with back louver and above the dehumidifier for models with top louvers.
- You will need a surface strong enough to support the dehumidifier when its bucket is full of water.
- You will need a surface level enough to keep the water from spilling when the bucket is full of water.
- Do not block the louvers of the unit.
- Never operate this dehumidifier in an area that is likely to accumulate standing water. If this condition develops, for your safety disconnect the power supply before stepping into the water.



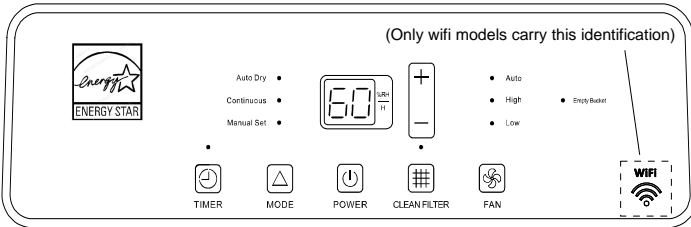
Operation

- Before turning on the dehumidifier, be sure that the bucket is empty and fits all the way into the dehumidifier.
- Each time you unplug the dehumidifier or power is interrupted, the controls will return to the previous settings when power is restored.
- Humidity displayed is between 30% and 90% relative humidity.
- Humidity can be set between 30% and 80% relative humidity.
- It's important to set the desired humidity level to an achievable setting. To ensure energy-efficient operation, only use the dehumidifier in a closed space, with no open windows or other sources of moist air (to avoid continuous running).
- Operating temperature is between 38°F to 90°F (3.2°C to 32.2°C). At temperatures of 38°F (3.2°C) or less, water freezes inside the product. At temperatures over 90°F (32.2°C), the internal temperature of the product trips a protective device which deactivates the product to avoid product damage.
- The compressor has a 3-minute delay before restarting. If the product is stopped and immediately restarted, to protect the compressor there is a 3-minute delay until the compressor restarts.
- When the dehumidifier is operating, the indoor temperature will rise. The dehumidifier does not have a cooling/heating function. Heat is generated during operation, so the room temperature may be increased by about 6°F (3°C) depending on the usage conditions (indoor temperature, size of the room).



NOTE: In the event of a power failure, your dehumidifier will operate at the previous settings when the power is restored.

1 Using the Control Panel



NOTE: The symbols may be different from these models, but the functions are similar.



NOTE: Set point is relative humidity: lower is more dry, higher is less dry.



POWER

POWER ON OR OFF

- Press POWER to turn on or off the dehumidifier.



MODE

DESIRED HUMIDITY MODE

AUTO DRY ○

- Press and release MODE until you see the symbol for the desired humidity setting. Operating modes are Auto Dry, Continuous or Manual Set.

CONTINUOUS ○

- Auto Dry - The dehumidifier will operate in dry mode only. The fan speed is set automatically. The desired humidity is set to 50% automatically.

MANUAL SET ○

- Continuous - The dehumidifier will operate continuously. The fan speed can be adjusted. The desired humidity can not be adjusted.

- Manual Set - The dehumidifier will operate at the selected fan speed to the set humidity level. If the humidity level of the room is higher than the desired humidity setting, the compressor will turn on. If the humidity level of the room is lower than the desired humidity setting, the compressor will turn off, as well as the fan.



NOTE: The de-icing function will turn off the compressor if a low temperature condition occurs. When the de-icer senses the correct operating temperature the compressor will cycle back on. Some freezing is normal when dehumidifiers are used at low temperatures.

Operation (continued)

 EMPTY BUCKET

EMPTY BUCKET LIGHT

If this light is on, the fan and the compressor will stop running. This light indicates that you need to check:

- If the bucket is full, empty and re-install bucket. If the bucket is not in position, remove the bucket and re-install it. Make sure the bucket fits all the way into the dehumidifier and the bucket light is off, or dehumidifier will not run.



FAN

FAN SPEED

- Press FAN to select fan speed.
- Choose LOW, HIGH or AUTO.
 - LOW - Reach the desired humidity setting with lower sound level.
 - HIGH - Will more quickly reach the desired humidity setting.
 - AUTO - Achieves set humidity at normal speed.



NOTE: Once the relative humidity of the room hits the desired setting, the compressor will stop and the fan will be off periodically. The fan may periodically turn on, to read the humidity level, without the compressor running.



HUMIDITY LEVEL

- Press the Plus or Minus button to set the desired humidity level. Desired humidity in the digital display will flash for 5 seconds after operation.
- Actual room humidity will be displayed after 5 seconds of flashing the desired humidity.



NOTE: Humidity can only be adjusted manually in Manual Set mode. In Continuous and Auto Dry mode, humidity level is set automatically.



DIGITAL DISPLAY

Display shows relative humidity or time (depending on setting).

- When the dehumidifier operates in Manual Set mode, the display shows the relative humidity of the room.
- When the timer is selected, the display shows the time when the dehumidifier will turn on or turn off, depending on the setting.



TIMER

TIMER

To set Timer for a 30-minute to 24-hour delay before the dehumidifier is turned off (the dehumidifier must be On):

- Press TIMER. Timer indicator light will come on, and the display will flash. The display will show remaining time before the dehumidifier will turn off.
- Press the Plus or Minus button to change the delay time, from 30 minutes to 24 hours.

To set Timer to turn on the dehumidifier, with previous setting:

- Turn off the dehumidifier.
- Press TIMER. Timer indicator light will flash. The display will show remaining time before the dehumidifier will turn on.
- Press the Plus or Minus button to change the delay time, from 30 minutes to 24 hours.

To clear the Timer delay program:

- Press TIMER once after it has been programmed. Display will show remaining time. While the display is showing the remaining time, press TIMER again. Timer indicator light will turn off.



NOTE: Dehumidifier can be either on or off.

To see the remaining time:

- Press TIMER once after it has been programmed. Display will show remaining time.



NOTE: Empty the water bucket before setting the timer function. If the water bucket becomes full during the Timer function, the Empty Bucket light goes on and dehumidification stops.

Operation (continued)



CLEAN FILTER

CLEAN FILTER

- When the Clean Filter indicator light is on, remove, clean and replace the air filter. See "Cleaning the Air Filter".
- Press the Clean Filter button to reset the filter monitor.



NOTE: When the light is on, it will remain on for 180 hours or until you press Clean Filter button.

2 Normal Sounds

When your dehumidifier is operating normally, you may hear sounds such as:

- Air movement from the fan.
- Clicks from the thermostat cycling.
- A high-pitched hum or pulsating noise caused by the high-efficiency compressor cycling on and off.

3 Using the ConncetLife APP(WI-FI compatible product only)

The Connectlife app by Hisense provides you the ability to conveniently monitor the unit and change your settings from anywhere.

DEVICES REQUIRED TO USE THE SMART AC:

- Smart Phone with compatible iOS or Android system.
- Wireless Router (a 2.4 GHz network is required to connect).
- Smart air conditioner.

DOWNLOAD AND INSTALL THE CONNECTLIFE APP



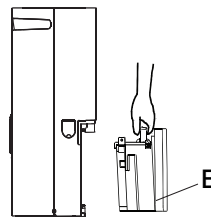
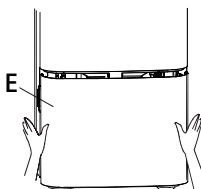
- Scan to download the ConnectLife APP.
- You can also go to Google Play or App Store and search for the ConncetLife APP.
- Follow the in-APP instructions to pair your appliance.

Care and Cleaning

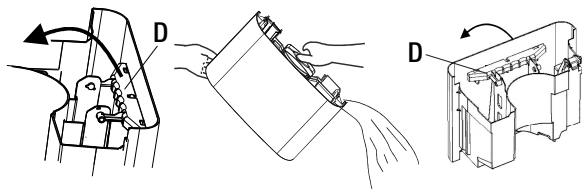
1 Draining the Dehumidifier - Bucket Draining

If a floor drain is not available, or you do not plan to run your dehumidifier continuously, you may want to simply empty the bucket.

- Grasp the bucket sides to slide out bucket (E).
- Lift the bucket (E) up by the handle (D).
- Pour water into a sink or tub.
- Fold down the handle (D) and reinstall the bucket (E).



Care and Cleaning (continued)



WARNING: Sickness Hazard

Do not drink water collected in water bucket. Doing so can result in sickness.



IMPORTANT: If the Empty Bucket light comes on, the dehumidifier will not operate. The bucket may need to be emptied or re-installed.

NOTE:

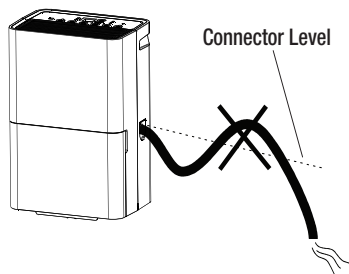
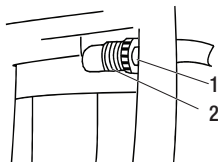
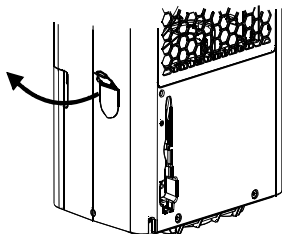
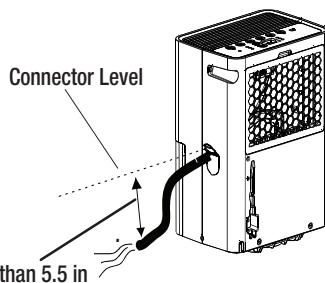
- If the water bucket is removed immediately after turning off the dehumidifier, the water remaining in the heat exchanger may drip inside the water bucket storage area. Remove the water with a soft cloth.
- While cleaning, do not touch the water level float.
- Clean the water bucket once a week during use.
- If the ambient temperature is low, there is less moisture in the air for the product to remove.
- Unplug the product before removing the water bucket. If the bucket is removed while the product is operating, the compressor will stop.



2 Gravity Draining

If you plan to run your dehumidifier continuously, you can choose direct draining by attaching a garden hose to the unit.

- Turn off the dehumidifier and unplug the power supply cord.
- Unscrew the connector cover on the side of the unit.
- Remove bucket.
- Attach a garden hose (1) to the drain hose connector (2) on the inside of the dehumidifier. Securely attach the hose to be sure there is no water leak.
- Place the other end of garden hose into a floor drain. Check to see that the hose lies flat and is in the drain. Make sure all the parts of the hose is on a level than the hose connector on the dehumidifier. Also, the outlet of the hose should be at least 5.5 in. lower than the hose connector. The hose should not be kinked or pinched.
- Reinstall bucket.



Care and Cleaning (continued)

NOTE:



- Garden hose sold separately.
- The drain hose inner diameter should be greater than 1/2 in.
- The connector is designed for North American garden hoses only.



IMPORTANT: In North America the garden hose connectors are 3/4 in. diameter straight (non-tapered) thread with a pitch of 11.5 threads per inch (male part has an outer diameter of 1-1/16 in. (26.99 mm).



WARNING: Do not injure hands while connecting the hose.

NOTE:

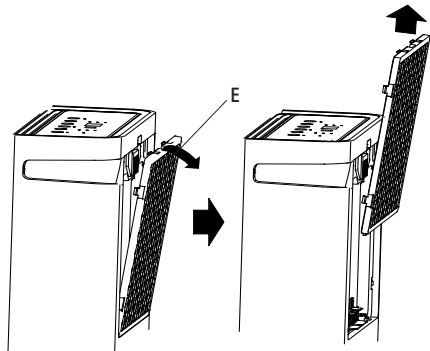


- To use the bucket without the garden hose, simply remove the garden hose, then reinstall bucket.
- The bucket must be installed and properly aligned for the dehumidifier to operate with or without a garden hose connected.

3 Cleaning the Air Filter

The air filter is removable for easy cleaning. A clean filter helps remove dust, lint, and other particles from the air and is important for best operating efficiency. Check the filter every two weeks to see whether it needs cleaning.

- Turn off the dehumidifier.
- Remove the air filter (E).
- Use a vacuum cleaner to clean the air filter. If the air filter is dirty, wash it in warm water with a mild detergent.
- Reinstall the air filter.
- Turn on the dehumidifier.



NOTE: Do not wash air filter in the dishwasher or use any chemical cleaner. Air dry filter completely before reinstalling to ensure maximum operating efficiency.

4 Cleaning the Exterior

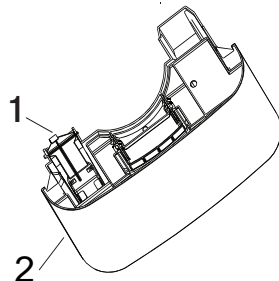
- Turn off the dehumidifier and unplug the power supply cord.
- Dust the surface of the unit with a soft cloth or the dusting attachment of your vacuum cleaner.

5 Cleaning the Water Bucket

Every few weeks, rinse the inside of the water bucket with a mild detergent to avoid growth of mold, mildew and bacteria.

Water level float

The dehumidifier's water bucket (2) has a water level float (1). Do not damage or remove the bucket's water level float. If the float is not properly in place, the Empty Bucket light will turn on, preventing operation, and could result in leaking.



Troubleshooting

Before calling for service, please try the suggestions below.


Problem	Solution
Dehumidifier will not operate	<p style="text-align: center;">DANGER: ELECTRICAL SHOCK HAZARD</p> <div style="display: flex; align-items: center;">  <ul style="list-style-type: none"> <input type="checkbox"/> Plug into a grounded 3-prong outlet. <input type="checkbox"/> Do not remove ground prong. <input type="checkbox"/> Do not use an adapter. <input type="checkbox"/> Do not use an extension cord. <input type="checkbox"/> Failure to follow these instructions can result in death, fire, or electrical shock. </div> <ul style="list-style-type: none"> <input type="checkbox"/> The dehumidifier is turned off. Turn on the dehumidifier. <input type="checkbox"/> The power supply cord is unplugged. Plug into a grounded 3-prong outlet. See "Pre-Installation" on page 7. <input type="checkbox"/> A household fuse has blown, or a circuit breaker has tripped. Replace the fuse, or reset the circuit breaker. See "Electrical Requirements" on page 7. <input type="checkbox"/> The bucket is not installed correctly. Reinstall the bucket so that it fits all the way into the dehumidifier. <input type="checkbox"/> The bucket needs to be emptied. Empty the bucket. <input type="checkbox"/> The water level float is not in place. Remove the bucket. Make sure the float is snapped in place. Reinstall the bucket. <input type="checkbox"/> The dehumidifier suddenly stopped operating and won't turn on. Confirm the power is connected, and the bucket is in place. If the unit still doesn't operate, call Hisense for Warranty service.
Dehumidifier runs but does not dehumidify	<ul style="list-style-type: none"> <input type="checkbox"/> All models have an automatic de-icing function that will shut off the compressor and allow the fan to run. When the de-icing function senses the correct operating temperature, the compressor will cycle back on. <input type="checkbox"/> The filter is dirty or obstructed with debris. Clean the filter. <input type="checkbox"/> The compressor of dehumidifier might be in protection mode. Please check if there is something blocked the air intake and outlet, or ambient temperature is over 90 °F (32.2 °C).
Air coming from the dehumidifier is warm	<ul style="list-style-type: none"> <input type="checkbox"/> Dehumidifier will put out warm air under normal operating conditions.
Dehumidifier displays error codes	<ul style="list-style-type: none"> <input type="checkbox"/> If the dehumidifier displays an error code, please contact customer service.

Tabla de Contenidos

Información de Seguridad.....	15
Instrucciones Importantes de Seguridad	15
Operación.....	15
Instalación.....	16
Almacenamiento y Eliminación del Aparato.....	16
Esquema Eléctrico.....	16
Precauciones Para Usar el Refrigerante R32	17

Pre-Instalación.....	20
Contenidos del Paquete.....	20
Requisitos Eléctricos.....	20
Requisitos de Ubicación.....	21
Operación.....	22
Limpieza y Cuidado.....	24
Resolución de Problemas.....	27

Información de Seguridad

La seguridad de usted y de otros son muy importantes. Hemos proporcionado mensajes de seguridad importantes en este manual y en el aparato. Por favor, lea y siga todos los mensajes de seguridad. Para reducir el riesgo de incendio, descarga eléctrica o lesiones al usar el aire acondicionado, siga estas precauciones básicas:

Instrucciones Importantes de Seguridad

- Enchúfelo a una toma con 3 clavijas con conexión a tierra.
- No retire la clavija de conexión a tierra.
- No utilice un adaptador eléctrico.
- No utilice el cable de extensión.
- Desenchufe el deshumidificador antes del mantenimiento.
- Si el cable de alimentación está dañado, debe ser reemplazado por el fabricante, su agente de servicio o una persona calificada similar para evitar riesgos.
- Mantenga los materiales de embalaje fuera del alcance de los niños. El material de embalaje podría ser peligroso para los niños. Existe riesgo de asfixia.
- Tenga cuidado de no pellizcar, aplastar o dañar el cable de alimentación al instalar o mover el aparato.
- No utilice el aparato sobre el agua estancada ni deje que el producto sea salpicado con agua durante el uso.
- Guarde e instale el aparato donde no quede expuesto a temperaturas bajo cero ni a las condiciones climáticas del exterior.
- Llame a un técnico de servicio autorizado para reparar o reemplazar inmediatamente todos los cables eléctricos que hayan resultado dañados. No utilice un cable con grietas o daños por abrasión a lo largo del cable o en los extremos.
- No utilice el producto si el tomacorriente está dañado o flojo.
- En caso de una fuga de gas (gas propano, gas LP, etc.) no opere este ni ningún otro aparato. Abra una ventana o puerta para ventilar el área inmediatamente.
- No desarme, repare ni modifique el producto.
- No almacene ni utilice gases ni materiales inflamables cerca del deshumidificador.

Operación

Lea todas las instrucciones antes de utilizar el aparato y conserve estas instrucciones.

- No manipule los controles.
- Inserte completamente el enchufe en la toma de pared para que no quede flojo.
- No agarre el cable eléctrico ni toque los controles del aparato con las manos húmedas.
- No modifique ni extienda el cable de alimentación.
- Si el producto hace ruidos raros o emite olores o humo, desenchúfelo y póngase en contacto con el servicio al cliente.
- Evite colocar el deshumidificador u otros objetos pesados encima del cable de alimentación.
- No utilice agua para limpiar el deshumidificador.
- Mantenga la entrada y salida de aire libre de obstrucciones.
- No cubra el cable de alimentación con alfombras o moquetas. Colocar objetos pesados encima del cable podría dañarlo.
- No inserte los dedos, palos, etc. en la entrada o salida de aire. El ventilador funciona a velocidades elevadas y podría causar lesiones personales.
- No repare ni reemplace ninguna pieza del aparato. Todas las reparaciones y mantenimiento deben ser realizadas por personal de servicio cualificado a menos que esté recomendado específicamente en este manual del usuario. Solo se deben utilizar piezas de fábrica autorizadas. Conéctelo a un circuito de alimentación nominal y protegido correctamente para evitar sobrecargas eléctricas.
- No utilice el producto para preservar animales/plantas, instrumentos de precisión, arte, etc.
- No coloque objetos sobre el deshumidificador.
- Apague el deshumidificador y vacíe el balde de agua antes de mover el deshumidificador.
- Quite el conector si no va a utilizar el producto por un largo período de tiempo.
- No utilice el producto en espacios muy chicos como armarios. La poca ventilación podría causar sobrecalentamiento.

Información de Seguridad (continuación)

- No utilice cera, disolvente o detergentes fuertes cuando lo limpie. Limpie el producto utilizando un paño suave.
- No utilice el producto bajo la luz solar directa o la lluvia.
- Coloque el producto sobre una superficie firme y estable.
- Retire los sujetacables y extienda el cable de alimentación antes de usarlo.
- No rocíe el producto con sustancias extrañas o agua.

Instalación

- Utilice este aparato solo para la finalidad prevista. Este producto no está diseñado para preservar instrumentos de precisión, vajillas u obras de arte.
- Nunca desenchufe el aparato estirando del cable eléctrico. Agarre siempre el enchufe con firmeza y estire para sacarlo de la toma.
- No utilice el aparato en lugares donde se utilizan químicos. Los productos químicos o disolventes disueltos en el aire podrían provocar una deformación del producto y fugas.
- Apague el deshumidificador y extraiga el enchufe de alimentación antes de limpiarlo. Espere a que el ventilador deje de moverse.
- No opere el deshumidificador sin un filtro.
- Utilizar este producto sin un filtro puede reducir su vida útil, causar descargas eléctricas o lesiones.
- Este aparato no se aplica a personas (incluidos niños) cuya capacidad física, sensorial o mental haya disminuido o carezca de experiencia y conocimiento, salvo que la persona responsable de su seguridad haya supervisado o guiado su uso.
- Los niños pequeños deben ser supervisado para asegurarse de que no pueden jugar con el aparato.
- La instalación de electrodomésticos debe cumplir con las regulaciones nacionales de cableado.

Almacenamiento y Eliminación del Aparato

- Deseche este aparato en conformidad con las leyes federales y locales. Se debe eliminar el refrigerante antes de la eliminación.
- Recicle o elimine el material de empaque del producto de manera responsable con el medio ambiente.
- Nunca almacene ni envíe el aparato boca abajo ni de lado para evitar daños en el compresor.

Todos los mensajes de seguridad le indicarán cuál es el peligro potencial y cómo reducir el cambio de lesiones.



PELIGRO: Un peligro que si no se evita, resultará en la muerte o en lesiones graves.



ADVERTENCIA: Un peligro que si no se evita, podría resultar en la muerte o en lesiones graves.

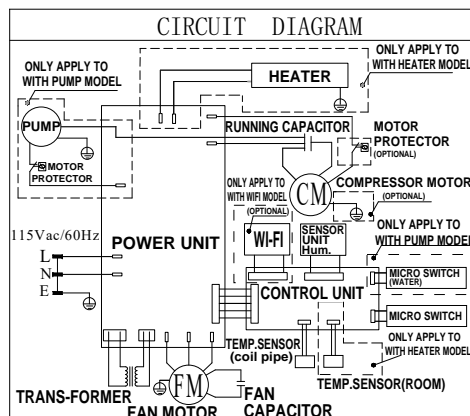


PRECAUCIÓN: Un peligro que si no se evita, puede resultar en la muerte o en lesiones leves o moderadas.

Explicación de los símbolos mostrados en el aparato.

	ADVERTENCIA	Este símbolo muestra que este aparato utiliza un refrigerante inflamable. Si hay una fuga de refrigerante y queda expuesto a una fuente de ignición externa, existe el riesgo de incendio.
	PRECAUCIÓN	Este símbolo muestra que se debe leer detenidamente el manual de operación.
	PRECAUCIÓN	Este símbolo muestra que un técnico de mantenimiento debe manipular este equipo en referencia al manual de instalación.
	PRECAUCIÓN	Este símbolo muestra que hay información disponible, como el manual de funcionamiento o el manual de desinstalación.

Esquema Eléctrico



Información de Seguridad (continuación)

Precauciones Para Usar el Refrigerante R32

Los procedimientos de trabajo básico de instalación son los mismos que con refrigerante convencional (R22 o R410A). Sin embargo, preste atención a los siguientes:

1. Transporte de equipo que contenga refrigerantes inflamables

- Cumplimiento con las regulaciones de transporte.

2. Marcas de equipo usando señalización

- Cumplimiento de las regulaciones locales.

3. Eliminación de equipo que use refrigerantes inflamables.

- Cumplimiento de las regulaciones nacionales.

4. Almacenamiento de equipo/aparatos

- El almacenamiento de equipo debe realizarse en cumplimiento de las instrucciones del fabricante.

5. Almacenamiento del equipo embalado (no vendido)

- La protección del embalaje de almacenamiento se debe construir de forma que los daños mecánicos al equipo de su interior del embalaje no cause una fuga de la carga de refrigerante.
- El número máximo de piezas de equipo permitidas para que se almacenen juntas estará determinado por las normativas locales.

6. Información sobre el mantenimiento

- **Comprobaciones de la zona:** Antes de empezar el trabajo en sistemas que contienen refrigerantes inflamables, son necesarias las comprobaciones de seguridad para garantizar que el riesgo de ignición esté minimizado. Para realizar reparaciones en el sistema de refrigeración, se deben respetar las siguientes precauciones antes de trabajar en el sistema.
- **Procedimiento de trabajo:** El trabajo debe realizarse bajo un procedimiento controlado para minimizar el riesgo de que haya presentes gases o vapores inflamables mientras se realiza el trabajo.
- **Zona de trabajo general:** Todo el personal de mantenimiento y de otros departamentos que trabajan en la zona local debe estar instruido sobre la naturaleza del trabajo a realizar. Se debe evitar trabajar en espacios confinados. La zona alrededor de la zona de trabajo debe estar aislada. Asegúrese de que las condiciones del interior de la zona sean seguras a través de controlar el material inflamable.
- **Comprobación de la presencia de refrigerante:** Se debe comprobar la zona con un detector de refrigerante adecuado antes y durante el trabajo para garantizar que el técnico conozca la presencia de atmósferas potencialmente inflamables. Asegúrese de que el equipo de detección de fugas utilizado sea adecuado para refrigerantes inflamables, es decir, que no produzca chispas, esté sellado adecuadamente o sea seguro intrínsecamente.
- **Presencia de un extintor de incendios:** Si se deben realizar trabajos en caliente con el equipo de refrigeración o alguna pieza asociada, el equipo de extinción de incendios adecuado debe estar accesible. Tenga un extintor de incendios de polvo seco o de CO₂ adyacente a la zona de carga.
- **Ausencia de fuentes de ignición:** Ninguna persona que realice trabajos relacionados con un sistema de refrigeración que implique exponer tuberías que contienen o hayan contenido refrigerantes inflamables debe usar fuentes de ignición de manera que pueda generar un riesgo de incendio o explosión. Todas las fuentes de ignición, entre ellas cigarrillos, deben mantenerse lo suficientemente alejadas del sitio del trabajo de instalación, reparación, retirada o eliminación, durante el que pueda liberarse refrigerante inflamable al espacio adyacente. Antes de que tenga lugar el trabajo, se debe inspeccionar la zona alrededor del equipo para asegurarse de que no existan peligros inflamables ni riesgos de ignición. Debe haber presentes señales de "No fumar".

- **Zona ventilada:** Asegúrese de que la zona esté abierta o ventilada adecuadamente antes de acceder al sistema o realizar trabajos en caliente. Se debe mantener la ventilación durante el periodo en que se lleve a cabo el trabajo. La ventilación debe dispersar de forma segura los refrigerantes liberados y, preferiblemente, expulsarlos a la atmósfera exterior.

- **Comprobaciones del equipo de refrigeración:** Cuando se estén cargando componentes eléctricos, deben ser adecuados para su finalidad y según la especificación correcta. Se deben seguir en todo momento las pautas de mantenimiento y servicio del fabricante. Si tiene dudas, consulte al departamento técnico del fabricante. Las siguientes comprobaciones deben aplicarse a las instalaciones que utilicen refrigerantes inflamables: El tamaño de la carga debe conformarse al tamaño de la habitación donde estén instaladas las piezas que contengan refrigerante; La maquinaria de ventilación y las salidas deben operarse adecuadamente y no estar obstruidas; Si se utiliza un circuito de refrigeración indirecta, se debe comprobar la presencia de refrigerante en el circuito secundario; Las marcas del equipo deben seguir siendo visibles y legibles. Se corregirán las marcas y señales que sean ilegibles; La tubería de refrigeración o los componentes deben estar instalados en una posición en la que es improbable que se vean expuestos a sustancias que puedan corroer los componentes que contienen refrigerante, excepto si los componentes están contruidos con materiales que sean inherentemente resistentes a la corrosión o estén protegidos adecuadamente contra la corrosión.

- **Comprobaciones de los dispositivos eléctricos:** La reparación y el mantenimiento de los componentes eléctricos deben incluir las comprobaciones iniciales de seguridad y los procedimientos de inspección de los componentes. Si existe algún fallo que pudiera comprometer la seguridad, no se debe conectar la alimentación eléctrica al circuito hasta que se gestione de forma satisfactoria. Si no se puede corregir inmediatamente el fallo, pero es necesario continuar con la operación, se debe usar una solución temporal adecuada. Se debe informar al propietario del equipo para que todas las partes lo conozcan. Las comprobaciones iniciales de seguridad incluyen: Que los condensadores estén descargados; esto debe realizarse de manera segura para evitar la posibilidad de creación de chispas; Que no haya componentes eléctricos con carga eléctrica ni cables expuestos durante la carga, recuperación o purga del sistema; Que se mantenga la conexión a tierra.

7. Reparación de los componentes sellados

- Durante la reparación de los componentes sellados, se debe desconectar toda la alimentación eléctrica del equipo a reparar antes de retirar la cubierta del sellado, etc.
- Si es absolutamente necesario tener alimentación eléctrica al equipo durante el mantenimiento, se debe disponer permanentemente de una forma de detección de fugas en el punto más crítico para advertir de una situación potencialmente peligrosa.
- Se debe prestar especial atención a los siguientes factores para garantizar que, al reparar los componentes eléctricos, la carcasa no sea alterada de forma que el nivel de protección se vea afectado.
- Esto incluye daños a los cables, un número excesivo de conexiones, terminales no realizados según la especificación original, daños en las juntas, instalación incorrecta, etc.
- Asegúrese de que el aparato esté montado de forma segura.
- Asegúrese de que los sellos o los materiales de sellado no se hayan degradado de forma que ya no puedan evitar la entrada de atmósferas inflamables.

Información de Seguridad (continuación)

- El reemplazo de piezas debe realizarse en conformidad con las especificaciones del fabricante.



NOTA: El uso de selladores de silicona podría inhibir la eficacia de algunos tipos de equipos de detección de fugas. Los componentes intrínsecamente seguros no necesitan estar aislados antes de trabajar con ellos.

8. Reparación de componentes intrínsecamente seguros

- No aplique cargas de capacitancia o inductivas permanentes al circuito sin asegurarse de que no exceda el voltaje y la corriente permitidos para el equipo en uso.
- En presencia de atmósferas inflamables solo se pueden reparar componentes intrínsecamente seguros. El aparato de prueba debe tener la calificación correcta.
- Reemplace únicamente los componentes por los especificados por el fabricante. Otras piezas podrían provocar la ignición del refrigerante que se haya filtrado a la atmósfera.

9. Cableado

- Compruebe que el cableado no esté sujeto a desgaste, corrosión, presión excesiva, vibraciones, bordes afilados u otros efectos adversos del entorno.
- La comprobación debe tener en cuenta los efectos del envejecimiento o la vibración continua originados por compresores o ventiladores.

10. Detección de refrigerantes inflamables

- Bajo ninguna circunstancia deben usarse fuentes potenciales de ignición para buscar o detectar fugas de refrigerante.
- No se deben usar linternas de halógenos (ni otros detectores que usen llamas vivas).

11. Métodos de detección de fugas

- Los siguientes métodos de detección de fugas son considerados aceptables para sistemas que contengan refrigerantes inflamables:
 - Se deben usar detectores electrónicos de fugas para detectar refrigerantes inflamables, pero la sensibilidad podría no ser adecuada o podría ser necesario recalibrarlos. (el equipo de detección debe calibrarse en una zona sin refrigerante.)
 - Asegúrese de que el detector no sea una fuente potencial de ignición y que sea adecuado para el refrigerante usado.
 - El equipo de detección de fuga se establecerá en un porcentaje del Límite Inferior de Inflamabilidad del refrigerante y se calibrará para el refrigerante empleado y se confirmará el porcentaje de gas (máximo 25%) adecuado.
 - Los líquidos de detección de fugas son adecuados para usar con la mayoría de refrigerantes, pero se debe evitar usar detergentes que contengan cloro, ya que podría reaccionar con el refrigerante y corroer las tuberías de cobre.
 - Si se sospecha que hay fugas, se debe retirar/extinguir todas las llamas vivas.
 - Si se encuentra una fuga de refrigerante que requiera soldadura, se debe recuperar todo el refrigerante del sistema o aislarlo (mediante válvulas de cierre) en una parte del sistema alejada de la fuga.
 - Después, se debe purgar el nitrógeno sin oxígeno a través del sistema antes y durante el proceso de soldadura.

12. Retirada y evacuación

- Al acceder al circuito de refrigerante para realizar las reparaciones, o con otros fines, se deben utilizar los procedimientos convencionales. Sin embargo, si se trata de refrigerantes inflamables, es importante seguir las buenas

practices be followed, since flammability is a consideration. The following procedure shall be adhered to:

a) eliminar el refrigerante de forma segura de acuerdo con la normativa local y nacional;

b) purgar el circuito con gas inerte;

c) evacuar (opcional para A2L);

d) purgar con gas inerte (opcional para A2L);

e) abrir el circuito con cortes o soldaduras.

- Si la ventilación no está permitida por las normativas locales y nacionales, la carga de refrigerante debe recuperarse en el cilindro de recuperación adecuado. Para aparatos que contengan refrigerantes inflamables, el sistema debe purgarse con oxígeno - nitrógeno libre para que el aparato sea seguro para refrigerantes. Es posible que sea necesario repetir este proceso varias veces. No debe utilizarse aire comprimido ni oxígeno para purgar el sistema de refrigerante.
- Para los aparatos que contengan refrigerantes inflamables, la purga del refrigerante se realizará rompiendo el vacío del sistema con oxígeno - nitrógeno libre y continuando el llenado hasta alcanzar la presión de trabajo, descargándolo después a la atmósfera y reduciéndolo finalmente al vacío (opcional para A2L). Este proceso debe repetirse hasta que no quede refrigerante en el sistema (opcional para A2L). Cuando se use una carga de oxígeno - nitrógeno libre, se debe ventilar el sistema con una presión atmosférica para permitir que tenga efecto.
- Asegúrese de que la salida de la bomba de vacío no esté cerca de ninguna fuente potencial de ignición y pueda ventilarse.

13. Procedimientos de carga

- Además de los procedimientos de carga convencionales, se debe cumplir los siguientes requisitos:
 - Garantizar que no haya contaminación de diferentes refrigerantes al usar el equipo de carga.
 - Hacer que las mangueras o tuberías sean lo más cortas posibles para minimizar la cantidad de refrigerante contenido en ellas.
 - Permanecer los cilindros en posición vertical.
 - Garantizar que el sistema de refrigeración esté conectado a tierra antes de cargar el sistema con refrigerante.
 - Etiquetar el sistema cuando la carga esté completa (si no lo está ya).
 - Tener mucho cuidado para no sobrecargar el sistema de refrigeración.
- Probar la presión con nitrógeno sin oxígeno antes de recargar el sistema.
- Se debe comprobar si hay fugas en el sistema al finalizar la carga pero antes de ponerlo en marcha.
- Se debe realizar una segunda prueba de fugas antes de abandonar el sitio.

14. Desmantelamiento

- Antes de llevar a cabo este procedimiento, es fundamental que el técnico esté completamente familiarizado con el equipo y todos sus detalles.
- Una buena práctica recomendada es recuperar de forma segura todos los refrigerantes.
- Antes de llevar a cabo la tarea, se debe tomar una muestra de aceite y de refrigerante en caso de que sea necesario un análisis antes de reutilizar el refrigerante recuperado. Es fundamental disponer de alimentación eléctrica antes de comenzar la tarea.
 - a) Familiarizarse con el equipo y su funcionamiento.
 - b) Aislar eléctricamente el sistema.

Información de Seguridad (continuación)

- c) Antes de intentar el procedimiento, asegúrese de que:
 - Haya disponibles equipos de manipulación mecánica, si es necesario, para manipular los cilindros de refrigerante;
 - Todo el equipo de protección personal esté disponible y se utilice correctamente;
 - El proceso de recuperación esté supervisado en todo momento por una persona competente;
 - El equipo y los cilindros de recuperación sean conformes a la normativa pertinente.
- d) Bombee el sistema del refrigerante, si es necesario.
- e) Si no es posible realizar un vacío, utilice un distribuidor de forma que se pueda retirar el refrigerante desde varias partes del sistema.
- f) Asegúrese de que el cilindro esté situado en las escalas antes de llevar a cabo la recuperación.
- g) Inicie la máquina de recuperación y opérela siguiendo las instrucciones del fabricante.
- h) No sobrecargue los cilindros. (No más de un 80% de volumen de carga de líquido).
- i) No exceda la presión de trabajo máxima del cilindro, ni siquiera temporalmente.
- j) Cuando se hayan llenado correctamente los cilindros y se haya completado el proceso, asegúrese de retirar inmediatamente los cilindros y el equipo del sitio y que todas las válvulas de aislamiento estén cerradas.
- k) No se debe cargar el refrigerante recuperado en otro sistema de refrigeración excepto si se ha limpiado y comprobado.

15. Etiquetado

- Se debe etiquetar el equipo indicando que ha sido desmantelado y vaciado de refrigerante.
- La etiqueta debe indicar la fecha y estar firmada. Asegúrese de que haya etiquetas en el equipo indicando que contiene refrigerante inflamable.

16. Recuperación

- Al retirar refrigerante de un sistema, ya sea para realizar el mantenimiento o desmantelarlo, una buena práctica recomendada es retirar de forma segura todos los refrigerantes.
- Al transferir refrigerante a los cilindros, asegúrese de emplear únicamente cilindros de recuperación de refrigerante adecuados.
- Asegúrese de disponer del número correcto de cilindros para contener la carga total del sistema.
- Todos los cilindros a usar están designados para el refrigerante recuperado y etiquetados para ese refrigerante (es decir, cilindros especiales para recuperar refrigerante).
- Se completará los cilindros con una válvula de alivio de presión y válvulas de cierre relacionadas en buen funcionamiento.
- Los cilindros de recuperación vacíos se evacúan y, si es posible, enfrían antes de la recuperación.
- El equipo de recuperación debe estar en buen funcionamiento con un conjunto de instrucciones relativas al equipo disponible y debe ser adecuado para la recuperación de refrigerantes inflamables.
- Además, se debe disponer de un juego de básculas de pesaje calibradas y en buen funcionamiento.
- Las mangueras deben estar completadas con acopladores de desconexión sin fugas y en buen funcionamiento.
- Antes de usar la máquina de recuperación, compruebe que funcione satisfactoriamente, haya sido mantenido adecuadamente y que los componentes eléctricos asociados estén sellados para evitar la ignición en caso de liberación del refrigerante.

- Si tiene dudas, consulte con el fabricante. No se debe realizar la apertura de los sistemas de refrigeración utilizando una soldadora.
- El refrigerante recuperado debe ser devuelto al proveedor en el cilindro de recuperación correcto y con la Nota de Transferencia de Residuos concertada.
- No mezcle refrigerantes en unidades de recuperación y, especialmente, en cilindros.
- Si es necesario retirar los compresores o los aceites compresores, asegúrese de que hayan sido evacuados a un nivel aceptable para garantizar que no quede refrigerante inflamable dentro del lubricante.
- Se debe llevar a cabo el proceso de evacuación antes de devolver el compresor a los proveedores.
- Solo se debe emplear calefacción eléctrica en el cuerpo del compresor para acelerar este proceso.
- El drenaje de aceite de un sistema debe realizarse de forma segura.



ADVERTENCIA: Riesgo de Incendio o Explosión. Esta unidad contiene refrigerante inflamable.

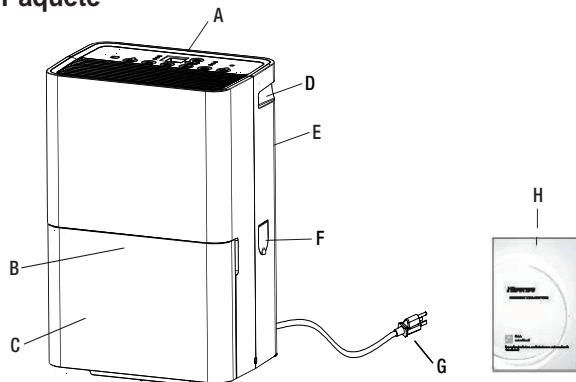
Debe seguir las medidas de precaución adicionales.

- No utilice medios para acelerar el proceso de descongelación o de limpieza que no sean los recomendados por el fabricante.
- Se debe almacenar el aparato en una habitación sin fuentes de ignición en funcionamiento continuo (por ejemplo, llamas vivas, aparatos de gas o calentadores eléctricos en funcionamiento).
- No perforo ni queme la tubería de refrigerante. Tenga en cuenta que es posible que los refrigerantes no tengan olor.
- Se debe respetar la normativa nacional sobre gases.
- Mantenga los orificios de ventilación libres de obstrucciones.
- La cantidad máxima de carga del refrigerante se muestra en la placa del aire acondicionado.
- Debe tener mucho cuidado para evitar dañar la tubería de refrigerante al manipular, instalar y operar el aparato.
- No perforo orificios en la unidad.
- El mantenimiento, la limpieza y el servicio deben ser realizados solo por técnicos capacitados y calificados en el uso de refrigerantes inflamables.
- Deseche el aire acondicionado en conformidad con las Normas Federales y Locales. Los refrigerantes inflamables requieren procedimientos de eliminación especiales. Contacte a las autoridades locales para eliminar el aire acondicionado de forma segura.
- El aparato debe almacenarse de forma que no sufra daños mecánicos.
- Debe almacenar el aparato en una zona bien ventilada donde el tamaño de la habitación corresponda a la zona de la habitación especificada para la operación.
- Este producto contiene piezas pequeñas como (pilas, tapa de las pilas y tornillos) que pueden provocar asfixia si son ingeridas por niños.



Pre-Instalación

Contenidos del Paquete



Parte	Descripción
A	Panel de control
B	Manija del cubo
C	Cubo
D	Manija
E	Filtro
F	Cubierta de la manguera
G	Enchufe de Alimentación
H	Manual de usuario

Requisitos Eléctricos

Los requisitos eléctricos específicos se mencionan en la siguiente tabla. Siga los requisitos para el tipo de conector del cable de alimentación.

ADVERTENCIA:

- Conéctelo a una toma con 3 clavijas con conexión a tierra.
- No quite la terminal a tierra.
- No utilice el adaptador.
- No utilice el cable de extensión.
- Pueden producirse incendios, descargas eléctricas o la muerte si no se siguen estas instrucciones.



Método de Conexión a Tierra Recomendado

Este deshumidificador debe tener conexión a tierra. El deshumidificador está equipado con un cable de alimentación con un enchufe de tres clavijas con conexión a tierra. El cable debe estar enchufado a una toma compatible de tres clavijas con conexión a tierra y debe tener una conexión a tierra de conformidad con todos los códigos y ordenanzas locales. Si no hay una toma compatible disponible, es responsabilidad del cliente solicitar a un electricista cualificado la instalación de una toma de tres clavijas con conexión a tierra adecuada.

Pre-Instalación(continuación)

Responsabilidad del Cliente

- Consultar con un electricista cualificado.
- Garantizar que la instalación eléctrica sea adecuada y conforme al código eléctrico nacional ANSI/NFPA 70 (última edición), y todos los códigos y ordenanzas locales.

Las copias de las normas mencionadas se pueden obtener de:

Asociación Nacional de Protección contra el Fuego

1 Batterymarch Park

Quincy, MA 02169-7471

www.nfpa.org

Requisitos para el Cableado

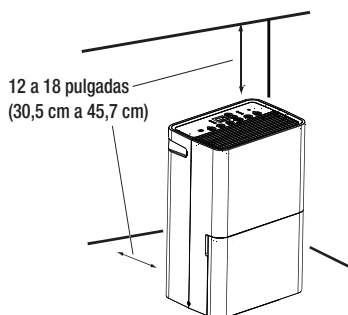
Fuente de alimentación	Fusible de acción retardada (o disyuntor)
115V 103,5V mín. 126,5V máx.	15A

Requisitos de Ubicación



ADVERTENCIA: Para reducir el riesgo de lesiones personales, mal funcionamiento o daños al producto o a la propiedad al usar este aparato, siga las precauciones básicas, entre ellas:

- No lo coloque en exteriores. Este deshumidificador está diseñado únicamente para uso en interiores y residencial. Este deshumidificador no está destinado para uso comercial.
- Deje un espacio de al menos 12 a 18 pulgadas (30,5 cm a 45,7 cm) en la parte trasera y en los laterales del deshumidificador para los modelos con persianas traseras y sobre el deshumidificador para modelos con persianas en la parte superior.
- Es necesaria una superficie lo suficientemente fuerte para soportar el deshumidificador cuando tenga el cubo lleno de agua.
- Es necesaria una superficie lo suficientemente nivelada para evitar que se derrame agua cuando el cubo esté lleno.
- No bloquee las persianas de la unidad.
- Nunca opere el deshumidificador en una zona donde sea probable que se acumule agua estancada. Si esto sucediera, desconecte la alimentación antes de entrar al agua por seguridad.



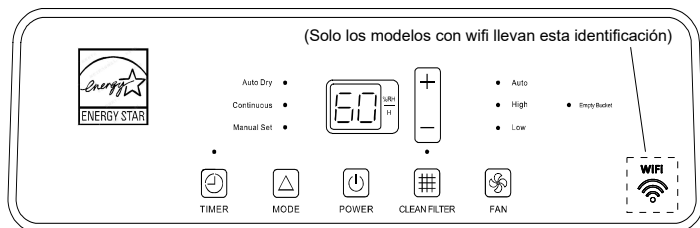
Operación

- ❑ Antes de encender el deshumidificador, asegúrese de que el cubo esté vacío y se adapte en el deshumidificador.
- ❑ Cada vez que desconecta el deshumidificador o se corta la energía, los controles volverán a la configuración previa cuando vuelva la energía.
- ❑ La humedad mostrada está entre 30% y 90% de humedad relativa.
- ❑ La humedad se puede establecer entre 30% y 80% de humedad relativa.
- ❑ Es importante ajustar el nivel de humedad deseado en un ajuste posible. Para garantizar un funcionamiento de bajo consumo, utilice el deshumidificador únicamente en espacios cerrados sin ventanas abiertas u otras fuentes de aire húmedo (para evitar el funcionamiento continuo).
- ❑ La temperatura de funcionamiento es entre 38°F y 90°F (3,2°C y 32,2°C) A temperaturas de 38°F (3,2°C) o menos, el agua se congela dentro del producto. A temperaturas superiores a 90°F (32,2°C), la temperatura interna del producto dispara un dispositivo de protección que desactiva el producto para evitar daños.
- ❑ El compresor tiene un retardo de 3 minutos antes de reiniciarse. Si se detiene el producto y se reinicia inmediatamente, hay un retardo del reinicio de 3 minutos para proteger el compresor.
- ❑ Cuando el deshumidificador está funcionando, la temperatura interior aumentará. El deshumidificador no tiene función de enfriamiento/calentamiento. El calor se genera durante el funcionamiento, por lo tanto la temperatura de la habitación puede incrementar a 6°F (3°C) dependiendo en las condiciones de uso (temperatura interna, tamaño de la habitación).



NOTA: En caso de fallo de alimentación, el deshumidificador funcionará con los ajustes previos cuando se restaure la alimentación.

1 Uso del Panel de Control



NOTA: Los símbolos pueden ser diferentes en estos modelos, pero las funciones son similares.



NOTA: El punto de ajuste es la humedad relativa: más bajo es más seco, más alto es menos seco.



POWER

ENCENDER O APAGAR

- ❑ Presione POWER para encender o apagar el deshumidificador.



MODE

MODO DE HUMEDAD DESEADA

- ❑ Presione y libere MODE hasta que vea el símbolo del ajuste de humedad deseado. Los modos de operación son Auto Dry, Continuous o Manual Set.

AUTODRY ○

- ❑ **Auto Dry** - El deshumidificador funcionará solo en el modo Dry (seco). La velocidad del ventilador se ajusta automáticamente. La humedad deseada se ajusta automáticamente al 50%.

CONTINUOUS ○

- ❑ **Continuous** - El deshumidificador funcionará continuamente. La velocidad del ventilador se puede ajustar. La humedad deseada no se puede ajustar.

MANUAL SET ○

- ❑ **Manual Set** - El deshumidificador funcionará a la velocidad del ventilador seleccionada para establecer el nivel de humedad. Si el nivel de humedad de la sala es superior al ajuste de humedad deseado, el compresor se encenderá. Si el nivel de humedad de la sala es inferior al ajuste de humedad deseado, el compresor y el ventilador se apagarán.



NOTA: La función de deshielo apagará el compresor en caso de baja temperatura. Cuando el dispositivo de deshielo detecte la temperatura de funcionamiento correcta, el ciclo del compresor volverá a iniciarse. Es normal que haya cierta congelación cuando se utiliza un deshumidificador a baja temperatura.

Operación (continuación)

○ EMPTY BUCKET

LUZ DE CUBO VACÍO

Si esta luz se enciende, el ventilador y el compresor dejarán de funcionar. Esta luz indica que necesita a comprobar:

- Si el cubo está lleno, vacíelo y vuelva a colocarlo. Si el cubo no está bien colocado, retírelo y vuelva a instalarlo. Asegúrese de que el cubo esté completamente encajado en el deshumidificador y la luz del cubo esté apagado, de lo contrario, el deshumidificador no funcionará.



FAN

VELOCIDAD DEL FAN (VENTILADOR)

- Presione FAN para seleccionar la velocidad del ventilador.
- Seleccione LOW (BAJA), HIGH (ALTA) o AUTO.
 - LOW - Alcanza la configuración de humedad deseada con el nivel de sonido más bajo.
 - HIGH - Alcanza más rápido la configuración de humedad deseada.
 - AUTO - Alcanza la humedad establecida a una velocidad normal.



NOTA: Una vez que la humedad relativa de la habitación alcance el nivel deseado, el compresor se detendrá y el ventilador se apagará periódicamente. El ventilador se puede encender periódicamente para leer el nivel de humedad sin que el compresor funcione.



NIVEL DE HUMEDAD

- Presione el botón Plus o Minus para ajustar el nivel de humedad deseado. La humedad deseada parpadeará en la pantalla digital durante 5 segundos después del funcionamiento.
- La humedad actual de la habitación se mostrará después de que la humedad deseada parpadee durante 5 segundos.



NOTA: La humedad solo se puede establecer manualmente en el modo Manual Set. En el modo Continuous y Auto Dry, el nivel de humedad se establece automáticamente.



PANTALLA DIGITAL

La pantalla muestra la humedad relativa o la hora (dependiendo de la configuración).

- Cuando el deshumidificador funciona en el modo Manual Set, la pantalla muestra la humedad relativa de la habitación.
- Cuando se selecciona el temporizador, la pantalla muestra la hora en la cual el deshumidificador se encenderá o apagará, dependiendo de la configuración.



TIMER

TIMER (TEMPORIZADOR)

Para configurar el retraso del Timer desde 30 minutos a 24 horas antes de que el deshumidificador se apague (el deshumidificador debe estar encendido):

- Presione TIMER. La luz indicadora del temporizador se encenderá y la pantalla parpadeará. La pantalla mostrará el tiempo restante antes de que el deshumidificador se apague.
- Presione el botón Plus o Minus para cambiar el tiempo de retraso, desde 30 minutos hasta 24 horas.

Para establecer que el temporizador encienda el deshumidificador, con la configuración previa:

- Apague el deshumidificador.
- Presione TIMER. El indicador del temporizador se parpadeará. La pantalla mostrará el tiempo restante antes de que el deshumidificador se encienda.
- Presione el botón Plus o Minus para cambiar el tiempo de retraso, desde 30 minutos hasta 24 horas.

Para borrar el programa de retraso del temporizador:

- Presione TIMER una vez después de que haya sido programado. La pantalla mostrará el tiempo restante. Mientras la pantalla muestra el tiempo restante, presione TIMER otra vez. El indicador del temporizador se apagará.



NOTA: El deshumidificador puede estar encendido o apagado.

Para ver el tiempo restante:

- Presione TIMER una vez después de que haya sido programado. La pantalla mostrará el tiempo restante.



NOTA: Vacíe el cubo antes de establecer la función del temporizador. Si el cubo de agua se llena durante la función del temporizador, la luz de "Cubo Lleno" se encenderá y la deshumidificación se detendrá.

Operación (continuación)



CLEAN FILTER

CLEAN FILTER (LIMPIAR EL FILTRO)

- Cuando la luz indicadora de Clean Filter esté encendida, retire, limpie y vuelva a colocar el filtro de aire. Consulte “Limpieza del Filtro de Aire”.
- Presione el botón Clean Filter para reiniciar el monitor del filtro.



NOTA: Cuando la luz está encendida, permanecerá encendida por 180 horas o hasta que usted presione el botón Clean Filter.

2 Sonidos Normales

Cuando el deshumidificador funciona con normalidad, puede escuchar sonidos como:

- El movimiento del aire desde el ventilador.
- Clics del ciclo del termostato.
- Un zumbido agudo o un ruido de pulsación causado por el encendido y apagado del compresor de ciclo de alta eficiencia.

3 Usando la APLICACIÓN ConnectLife(solo producto compatible con Wi-Fi)

La aplicación Connectlife de Hisense le brinda la posibilidad de monitorear cómodamente la unidad y cambiar su configuración desde cualquier lugar.

DISPOSITIVOS REQUERIDOS PARA UTILIZAR EL SMART AC:

- Teléfono inteligente con sistema iOS o Android compatible.
- Router inalámbrico (se requiere una red de 2,4 GHz para conectarse).
- Aire acondicionado inteligente.

DESCARGUE E INSTALE LA APLICACIÓN CONNECTLIFE



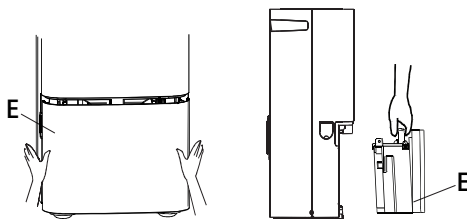
- Escanee para descargar la aplicación ConnectLife.
- También puedes ir a Google Play o App Store y buscar la aplicación ConnectLife.
- Siga las instrucciones de la APLICACIÓN para emparejar su electrodoméstico.

Limpieza y Cuidado

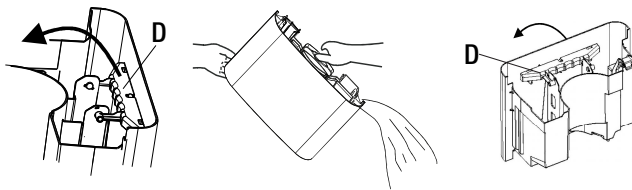
1 Drenaje del Deshumidificador - Drenaje del Cubo

Si no hay desagüe en el suelo, o si no tiene previsto utilizar continuamente el deshumidificador, es posible que sencillamente quiera vaciar el cubo.

- Agarre el cubo de ambos lados para sacarlo (E).
- Levante el cubo (E) utilizando la manija (D).
- Vierta el agua en un lavabo o en la bañera.
- Baje la manija (D) y vuelva a instalar el cubo (E).



Limpieza y Cuidado (continuación)



ADVERTENCIA: Peligro de Enfermedad

No beba el agua que se acumula en el cubo. En caso de hacerlo, podría causar una enfermedad.



IMPORTANTE: Si se enciende la luz de Cubo Vacío, el deshumidificador no funcionará. Es necesario vaciar o volver a instalar el cubo.

NOTA:



- Si se quita el cubo inmediatamente después de apagar el deshumidificador, el agua restante en el intercambiador de calor puede gotear dentro del área del cubo de almacenamiento de agua. Quite el agua con un paño suave.
- Durante la limpieza, no toque el detector del nivel de agua.
- Durante el uso, limpie el cubo una vez a la semana.
- Si la temperatura ambiente es baja, hay menos humedad en el aire para eliminar para el producto.
- Desenchufe el producto antes de retirar el cubo de agua. Si se retira el cubo de agua mientras el producto está funcionando, se detendrá el compresor.

2 Drenaje por Gravedad

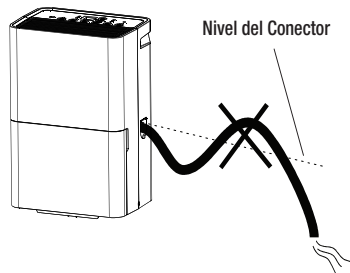
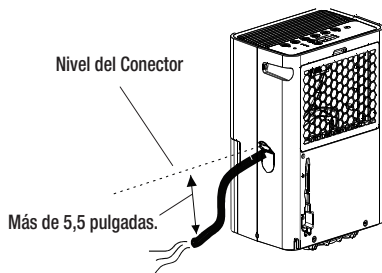
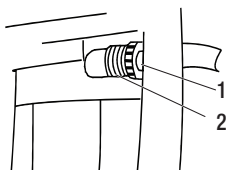
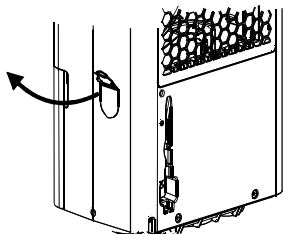
Si planea hacer funcionar el deshumidificador de manera continua, puede elegir el drenaje directo conectando una manguera de jardín a la unidad.

- Apague el deshumidificador y desconecte el cable de alimentación.
- Quite la cubierta del conector del lateral de la unidad.
- Quite el cubo.
- Conecte una manguera de jardín (1) al conector de la manguera de drenaje (2) del interior del deshumidificador. Conecte de forma segura la manguera para asegurarse de que no haya fugas de agua.
- Coloque el otro extremo de la manguera de jardín a un desagüe de suelo. Compruebe que la manguera quede plana y esté en el desagüe.

Asegúrese de que todas las partes de la manguera están por debajo del conector de la manguera del deshumidificador.

Asimismo, la salida de la manguera debe estar al menos 5,5 pulgadas por debajo del conector de la manguera. La manguera no debe estar retorcida ni contraída.

- Vuelva a instalar el cubo.



Limpieza y Cuidado (continuación)

NOTA:



- La manguera de jardín se vende por separado.
- El diámetro interno de la manguera de drenaje debe ser de más de 1/2 pulgada.
- El conector está diseñada para mangueras de jardín de Norteamérica.



IMPORTANTE: En América del Norte, los conectores de mangueras de jardín tienen una rosca de 3/4 pulgada de diámetro (no cónica) con una separación de 11,5 roscas por pulgada (la pieza macho tiene un diámetro exterior de 1-1/16 pulgadas (26,99 mm)).



ADVERTENCIA: Tenga cuidado de no lastimarse las manos al conectar la manguera.

NOTA:

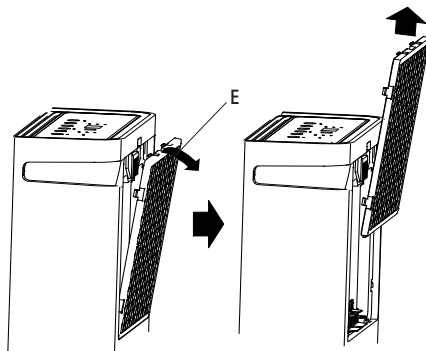


- Para utilizar el cubo sin la manguera de jardín, simplemente quite la manguera y vuelva a colocar el cubo.
- El cubo debe estar instalado y alineado correctamente para que el deshumidificador funcione con o sin la manguera de jardín conectada.

3 Limpieza del Filtro de Aire

Es posible extraer el filtro de aire para limpiarlo fácilmente. Un filtro limpio ayuda a eliminar el polvo, lino y otras partículas del aire y es importante para conseguir la mejor eficacia operativa. Compruebe el filtro cada dos semanas para ver si es necesario limpiarlo.

- Apague el deshumidificador.
- Quite el filtro de aire (E).
- Utilice una aspiradora para limpiar el filtro del aire. Si el filtro de aire está muy sucio, lávelo con agua tibia y detergente suave.
- Reinstale el filtro de aire.
- Encienda el deshumidificador.



NOTA: No lave el filtro de aire en el lavavajillas ni utilice limpiadores químicos. Deje que el filtro se seque completamente al aire antes de volver a instalarlo para garantizar la máxima eficacia operativa.

4 Limpieza del Exterior

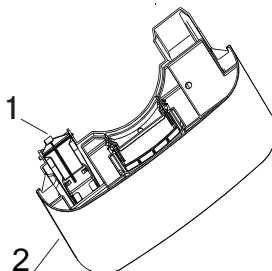
- Apague el deshumidificador y desconecte el cable de alimentación.
- Limpie el polvo de la superficie de la unidad con un paño suave o el accesorio de despolvo de la aspiradora.

5 Limpieza del Cubo de Agua

Cada un par de semanas, enjuague la parte interior del cubo con detergente suave para evitar el crecimiento de moho, hongos y bacterias.


Detector del nivel del agua

El cubo de agua del deshumidificador (2) tiene un detector de nivel de agua (1). No dañe ni quite el detector del nivel de agua del balde. Si el detector no está correctamente en su lugar, la luz de Cubo Vacío se encenderá evitando que funcione y podría causar fugas.



Resolución de Problemas

Antes de llamar al servicio, intente las siguientes sugerencias.

Problema	Solución
El deshumidificador no funciona	<div style="border: 1px solid black; padding: 5px; margin-bottom: 10px;"> <p style="text-align: center;">PELIGRO: PELIGRO DE DESCARGA ELÉCTRICA</p> <div style="display: flex; align-items: center;">  <ul style="list-style-type: none"> <input type="checkbox"/> Conéctelo a una toma con 3 clavijas con conexión a tierra. <input type="checkbox"/> No quite la terminal a tierra. <input type="checkbox"/> No utilice el adaptador. <input type="checkbox"/> No utilice el cable de extensión. <input type="checkbox"/> Pueden producirse incendios, descargas eléctricas o la muerte si no se siguen estas instrucciones. </div> </div> <ul style="list-style-type: none"> <input type="checkbox"/> El deshumidificador está apagado. Encienda el deshumidificador. <input type="checkbox"/> El cable eléctrico está desenchufado. Conéctelo a una toma con 3 clavijas con conexión a tierra. Consulte “Preinstalación” en la página 21. <input type="checkbox"/> Un fusible del hogar se ha fundido o un interruptor ha fallado. Reemplace el fusible o restablezca el interruptor. Consulte “Requisitos Eléctricos” en la página 21. <input type="checkbox"/> El cubo no se instala correctamente. Vuelva a colocar el cubo para que encaje en el deshumidificador. <input type="checkbox"/> El cubo necesita ser vacío. Vacíe el cubo. <input type="checkbox"/> El detector de nivel del agua no está en el lugar. Quite el cubo. Compruebe que el detector de nivel esté insertado en su sitio. Vuelva a instalar el cubo. <input type="checkbox"/> El deshumidificador se detuvo de repente y no se enciende. Compruebe que esté conectado y que el cubo esté en el lugar. Si la unidad no funciona, llame a Hisense por el servicio de garantía.
El deshumidificador funciona pero no deshumidifica	<ul style="list-style-type: none"> <input type="checkbox"/> Todos los modelos tienen una función de deshielo automática que apagará el compresor y permitirá que el ventilador funcione. Cuando la función de deshielo detecta la temperatura de funcionamiento correcta, el compresor volverá a funcionar. <input type="checkbox"/> El filtro está sucio u obstruido con restos. Limpie el filtro. <input type="checkbox"/> El compresor del deshumidificador podría estar en Modo de Protección. Esto podría pasar si la entrada o la salida de aire está bloqueado/tapado o si la temperatura ambiental está arriba de 90 °F (32.2 °C). Por favor, verifique que la entrada y salida de aire no está bloqueado/tapado y que la temperatura ambiental esta menos de 90 °F (32.2 °C)
El aire que proviene del deshumidificador es cálido	<ul style="list-style-type: none"> <input type="checkbox"/> El deshumidificador sacará aire cálido bajo condiciones de funcionamiento normales.
El deshumidificador muestra códigos de error	<ul style="list-style-type: none"> <input type="checkbox"/> Si el deshumidificador muestra un código de error, póngase en contacto con el servicio de cliente.

D2K

Version NO. 2338164-02