



- New sleek design with round edge elevates style
- Compact & space efficient 4.4 CF capacity
- Large enough space for 2L beverage
- Flexible installation with reversible door
- Energy star certified – save on your utility cost
- Add stability with adjustable legs
- Ultra quiet operation for peaceful sleep



**2L Beverage Storage**



**Removable Glass Shelf**



**Reversible Door**



**Adjustable Legs**

## Compact design with ultimate capacity

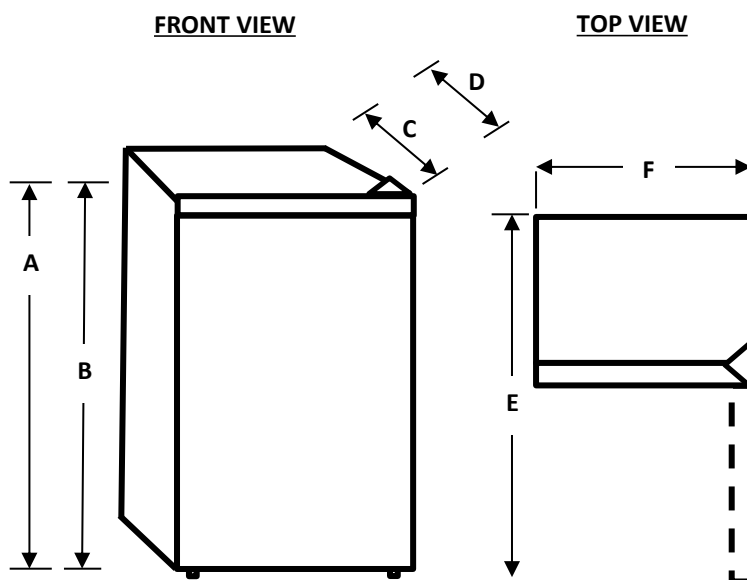
This new 4.4 cu. ft. silver mini fridge HRC044AVE is perfect for college dorms, break rooms, or just extra storage for your home and office space. New sleek door design with round edge adds elegance to your space. However, the sleek and stylish design does not compromise its functionality. 2 L beverage storage allows you to store beverages and frees up space in the rest of the fridge. The adjustable legs and reversible door design allow for placement of this mini refrigerator virtually anywhere you need it. Thanks to the 41dB ultra quiet operation, you still get a peaceful sleep though it's right next to you bed or desk...!

#### TECHNICAL SPECIFICATIONS

Performance	
Model#	HRC044AVE
Total Capacity (cu. ft)	4.4
Refrigerator/ Freezer Capacity (cu. ft)	4.4/0.0
Energy Efficiency Class	Energy Star
Power Consumption (kWh/year)	269
Noise Level (dB(A))	41
Electrical	
Voltage / Frequency / Amps	115V/ 60 Hz /1.5A
General Features	
Temperature Control	Mechanical
Defrosting	Manual
Lock	none
Energy Saver/Safety	Yes/ETL
Color	Silver
Number of Doors	1
Reversible Doors	Yes
Flat-Back Design	Yes
Handle	Recessed
Foam Blowing Agent	Cyclopentane
Refrigerant	R600a
Adjustable Legs	Yes
Lighting	N/A
Refrigeration Compartment	
Temperature Range	32-50F°
Multi-flow Air	No
Door Basket/Bin	3 bins (1 bin for 2L bottle)
Shelves	3 glass shelves
Basket	No
Shipping Information	
Carton Dimensions (WxDxH)(in.)	19.6X 22.6 X 34.3
Net Weight/Gross Weight (lbs.)	45/51
UPC Code	810088366932

#### INSTALLATION DIMENSION

Overall Dimension	Height to top of hinge(in.) <b>A</b>	33.1
	Height to top of case(in.) <b>B</b>	32.8
	Depth without door(in.) <b>C</b>	19.7
	Depth with door(in.) <b>D</b>	21.9
	Depth with fresh door open 90-degree (in.) <b>E</b>	39.1
	Width(in.) <b>F</b>	18.7
Air Clearance	Each side(in.)	4
	Top(in.)	4
	Back(in.)	3



All product, product specifications, and data are subject to change without notice to improve reliability, function, design or otherwise.  
©2022 Hisense USA. All rights reserved.

Hisense USA Corporation  
7310 McGinnis Ferry Road, Suwanee, GA. 30024  
1-877-465-3566  
[www.hisense-usa.com](http://www.hisense-usa.com)