

Mora

17.2
CU.FT.

COUNTER DEPTH Bottom-Freezer REFRIGERATOR

Model MRB172N6ABE Black



- Full-width pantry drawer for spacious storage of deli items and more
- Gallon-size door bin for easy access
- Bright LED lighting makes it easy to find what you're looking for
- Electronic display allows you to quickly select the desired temperature
- Multi air-flow system provides even cooling
- Meets ENERGY STAR® standards, saving on energy costs
- Reliable quality backed by a 1-year warranty



True Counter Depth Size



Full-width Drawer



LED Lighting



Gallon Door Storage

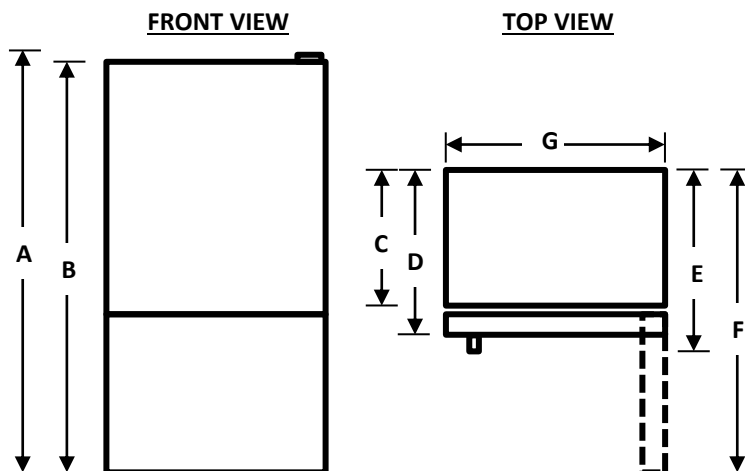
The Hisense 17.2 cu. ft. bottom-mounted refrigerator provides ample food storage space. A slim, modern design that fits into 33-inch-wide spaces. Just right for kitchens with limited floor space. A full-width pantry drawer is ideal for deli & cheese storage. Gallon-size door bins provide easy access to milk and beverage containers. Two full-width freezer drawers make it easy to organize your frozen foods.

TECHNICAL SPECIFICATIONS

Performance	
Total Capacity (Ft ³)	17.2
Refrigerator/ Freezer Capacity(Ft ³)	12.1 / 5.1
Counter-Depth	Yes
Energy Efficiency Class	E/Star
Evaporator	Single
Noise Level (dB(A))	43
General Features	
Control Type	Electronic
Super Freeze	Yes
Super cool	Yes
Energy saver	Yes
Door Alarm	Yes
Number of Doors	2
Reversible Doors	Yes
Door Design	Round
Handle	Grip
Door Material	Black PCM
Leveling Legs	Yes
Refrigerant	R600a
Refrigeration Compartment	
Temperature Range	36°F to 46°F
Air Flow	Multi-Air Flow
Shelf	2 Full Width Glass
Door Bins	4 Half and 1 Full Gallon Bin
Door Bin Color	Transparent
Storage Drawer	1 Full Width Drawer
Lighting	LED Top
Freezer Compartment	
Temperature Range	-11°F to 5°F
Drawers	2 Full Extension
Drawer Shelf	No
Ice Maker	No
Lighting	No
Product	
Carton Dimensions (WxDxH)(in.)	33.15 X 28.70 X 71.62
Net Weight/Gross Weight (lbs.)	196/214
UPC Code	810088364181

INSTALATION DIMENSION

Overall Dimension	Height to top of hinge(in.) A	69.10
	Height to top of case(in.) B	68.50
	Case depth without door(in.) C	23.62
	Case depth with door(in.) D	27.01
	Case depth with door handle (in.) E	28.94
	Depth with door open 90 degree (in.) F	55.79
	Width(in.) G	31.10
Air Clearance	Each side(in.)	1.0
	Top(in.)	1.0
	Back(in.)	2.0



All product, product specifications, and data are subject to change without notice to improve reliability, function, design or otherwise.
©2020 Hisense USA. All rights reserved