

MORA

15.0
CU.FT.

COUNTER DEPTH
Bottom-Freezer REFRIGERATOR

Model MRB150N6AVD (SS Look)



- Complete the built-in look with true counter depth
- 2 freezer drawers allow you to have more visibility and usable space in freezer – frequent items in top freezer and bottom freezer for storage
- Smooth glide freezer drawers
- Adjustable shelves to maximize your storage capability
- Easy to use touch control
- Easy approach pantry drawer
- Soft LED Lighting
- Multi air flow function keeps your produce fresher, longer



Full width pantry drawer



Smooth Glide Drawer

This Mora 15 CF refrigerator is a space-saving innovation. With counter depth and slim design, it can fit easily in nearly any kitchen with premium built in look, but still provides versatile storage options such as full width pantry drawer and adjustable shelves. Two full width freezer drawers are easy to use thanks to smooth glide rail and provide ample storage for your frozen food. Store fun items such as ice cream in the top freezer and use bottom freezer for storage. Easy to use control panel allows you to control the temperature with just one click.

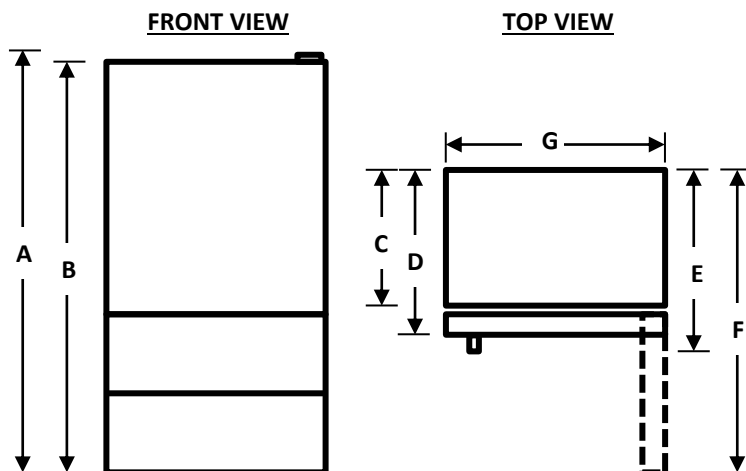
All product, product specifications, and data are subject to change without notice to improve reliability, function, design or otherwise. ©2019 Hisense USA. All rights reserved.

TECHNICAL SPECIFICATIONS

Performance	
Total Capacity (Ft ³)	15.0
Refrigerator/ Freezer Capacity(Ft ³)	12.0 / 3.0
Counter-Depth	Yes
Energy Efficiency Class	DOE
Evaporator	Single
Noise Level (dB(A))	43
General Features	
Control Type	Electronic
Energy saver	No
Door Alarm	Yes
Number of Doors	3
Reversible Doors	Yes
Door Design	Flat
Handle	Recessed
Door Material	Silver VCM
Refrigerant	R600a
Refrigeration Compartment	
Temperature Range	36 °F to 46 °F
Air Flow	Multi-Air Flow
Shelf	2 Full Width Glass
Door Bins	3 Full Width Bins
Storage Drawer	1 Full Width Crisper
Lighting	LED Top
Freezer Compartment	
Temperature Range	-11 °F to 5 °F
Shelf	2 Full width Drawers + 2 Full Width Tray
Door Bin	N/A
Ice Maker	N/A
Lighting	N/A
Product	
Leveling Legs	Yes
Carton Dimensions (WxDxH)(in.)	29.4 X28.9X74.6
Net Weight/Gross Weight (lbs.)	181/198
UPC Code	810088364532

INSTALLATION DIMENSION

Overall Dimension	Height to top of hinge(in.) A	70.3
	Height to top of case(in.) B	69.3
	Case depth without door(in.) C	23.6
	Case depth with door(in.) D	27.3
	Depth with handle E	27.3
	Depth with fresh door open 90 degree (in.) F	52.7
	Width(in.) G	27.7
Air Clearance	Each side(in.)	1.0
	Top(in.)	1.0
	Back(in.)	2.0



All product, product specifications, and data are subject to change without notice to improve reliability, function, design or otherwise.
©2020 Hisense USA. All rights reserved

Hisense USACorporation
7310 McGinnis Ferry Road, Suwanee, GA, 30024
1-877-465-3566
www.hisense-usa.com